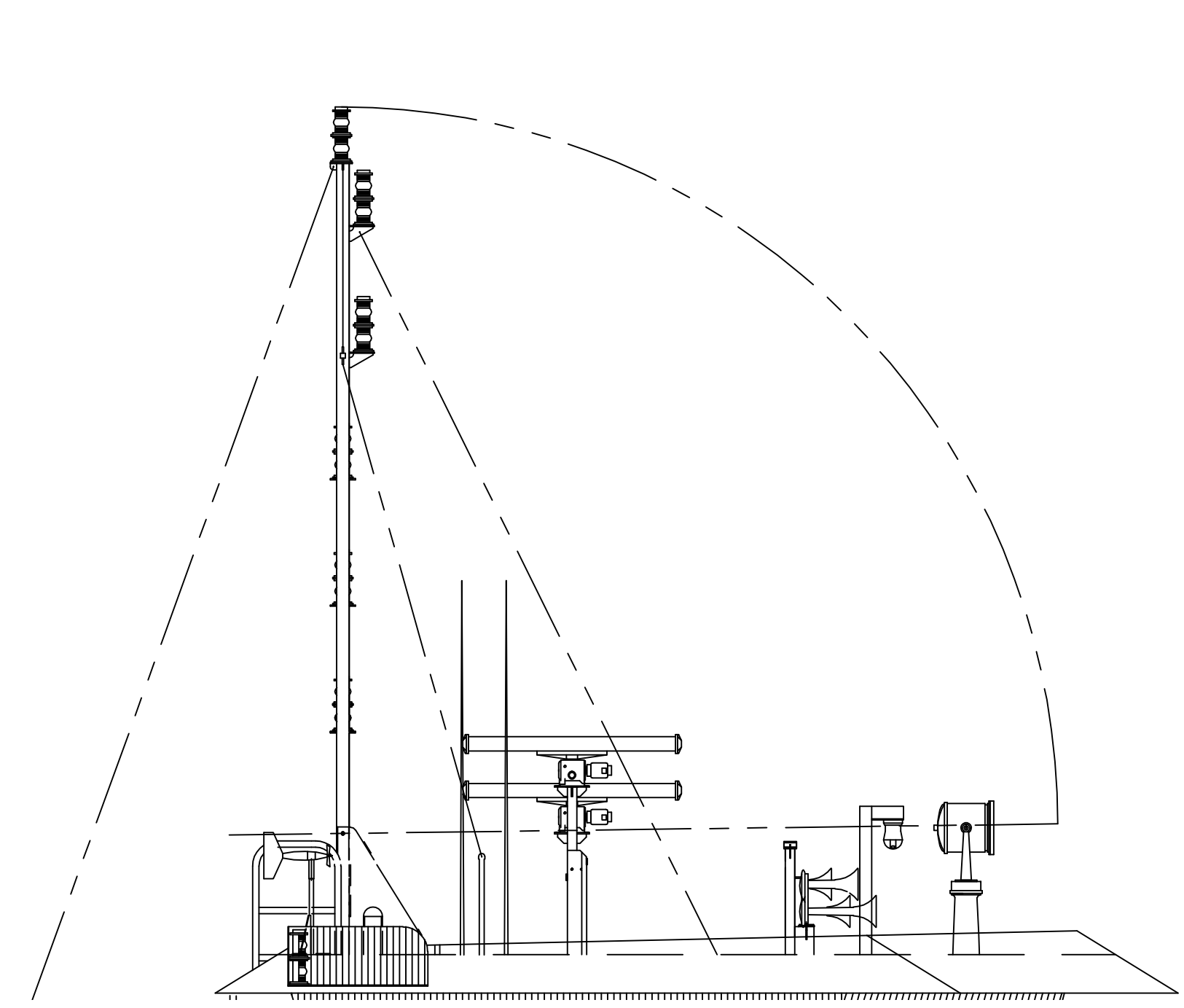
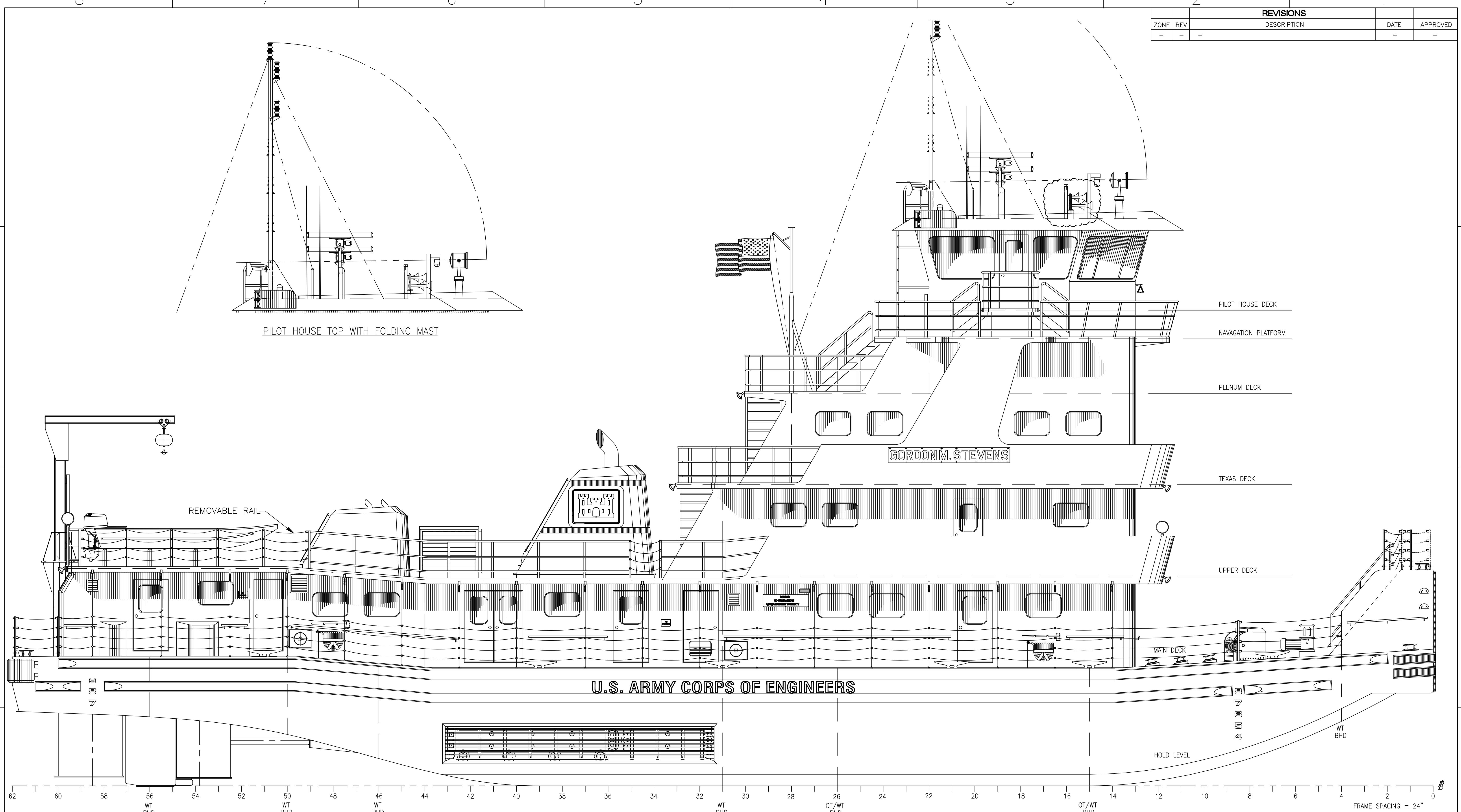


ZONE		REV	REVISIONS	DATE	APPROVED
-	-	-	DESCRIPTION	-	-



PILOT HOUSE TOP WITH FOLDING MAST



U.S. ARMY CORPS OF ENGINEERS

GORDON M. STEVENS

PILOT HOUSE DECK

NAVIGATION PLATFORM

PLENUM DECK

TEXAS DECK

UPPER DECK

MAIN DECK

HOLD LEVEL

FRAME SPACING = 24"

62 60 58 56 54 52 50 48 46 44 42 40 38 36 34 32 30 28 26 24 22 20 18 16 14 12 10 8 6 4 2 0

WT BHD

WT BHD

WT BHD

WT BHD

OT/WT BHD

OT/WT BHD

WT BHD

OUTBOARD PROFILE

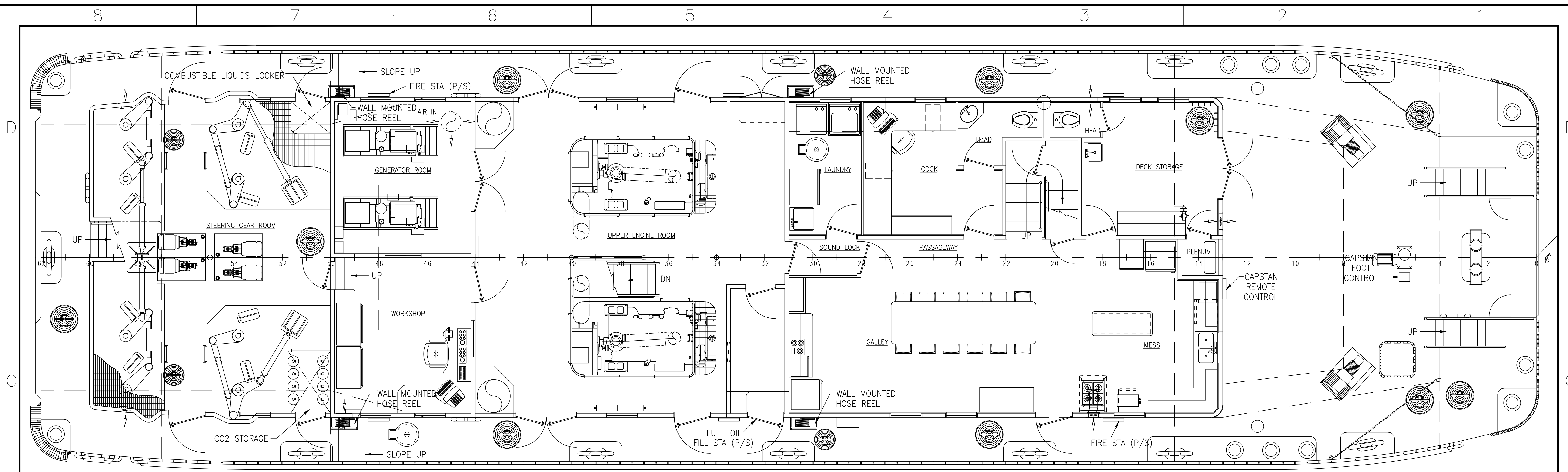
ORANGE
Shipbuilding Co., Inc.
A CONRAD INDUSTRIES CO.
710 MARKET STREET-ORANGE, TEXAS 77630
PHONE 409-883-6666 FAX 409-882-0009

DRAWN TTM
DATE 10/28/05
CHECKED BY OSB
YARD APPV'D
A.B.S. APPV'D
M.D.C. APPV'D

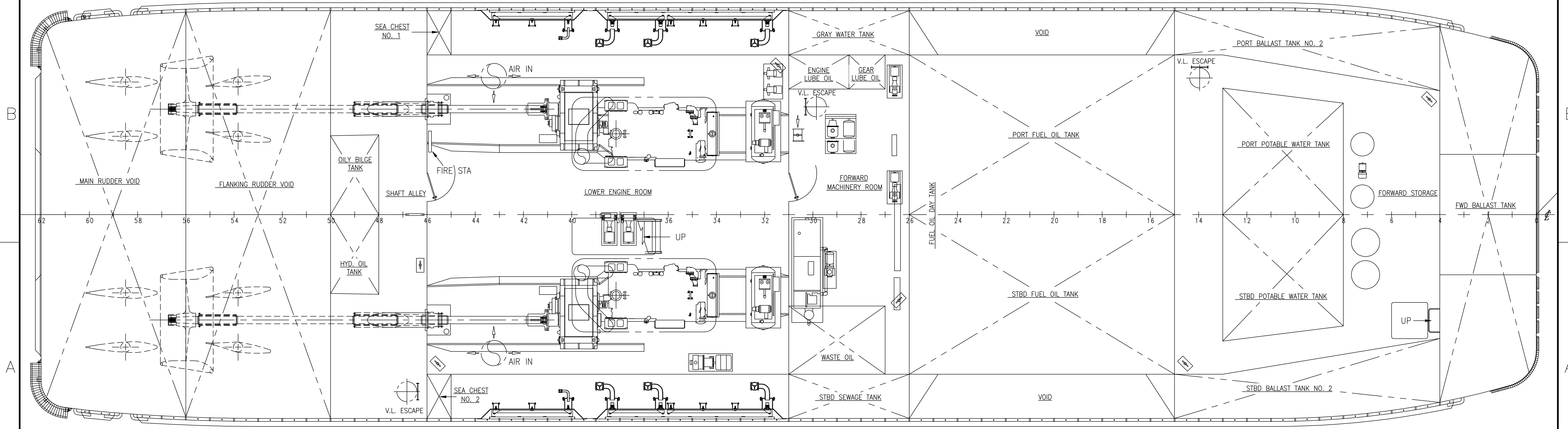
DEPARTMENT OF THE ARMY
MARINE DESIGN CENTER
CORPS OF ENGINEERS
CEMVR 124'-0" TOWBOAT

OUTBOARD PROFILE

SIZE	PROJECT NO.	DWG. NO.	REV
D	2555	622-D205-01	0
SCALE 1/4" = 1'-0"		FILE 622-D205-010	SHEET 1 OF 1



MAIN DECK ARRANGEMENT



HOLD LEVEL ARRANGEMENT

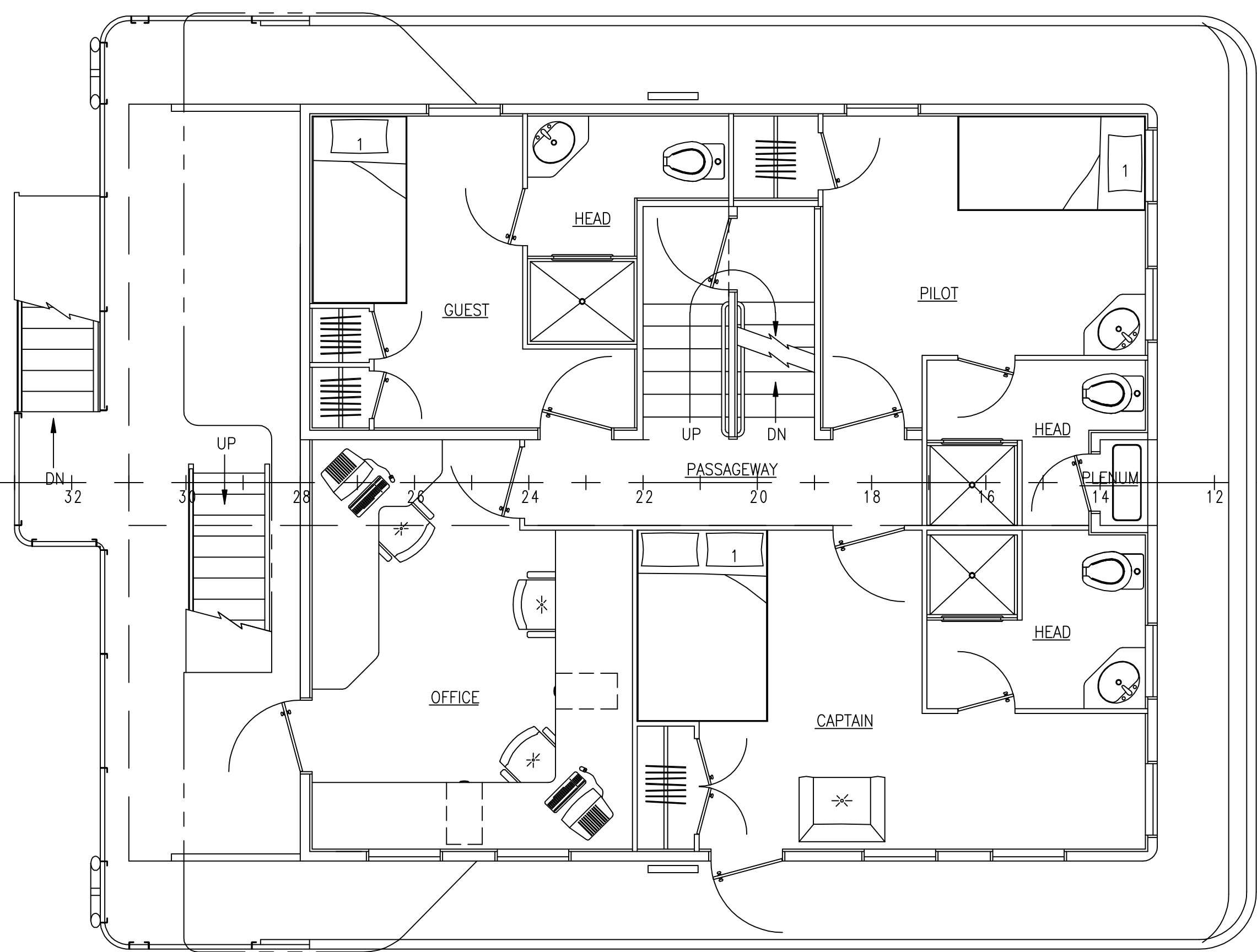
SIZE	PROJECT NO.	DWG. NO.	REV.
D	2555	622-D215-01	0
SCALE 1/4"=1'-0"		FILE 622-D215-010	SHEET 3 OF 3

8 7 6 5 4 3 2 1

D

D

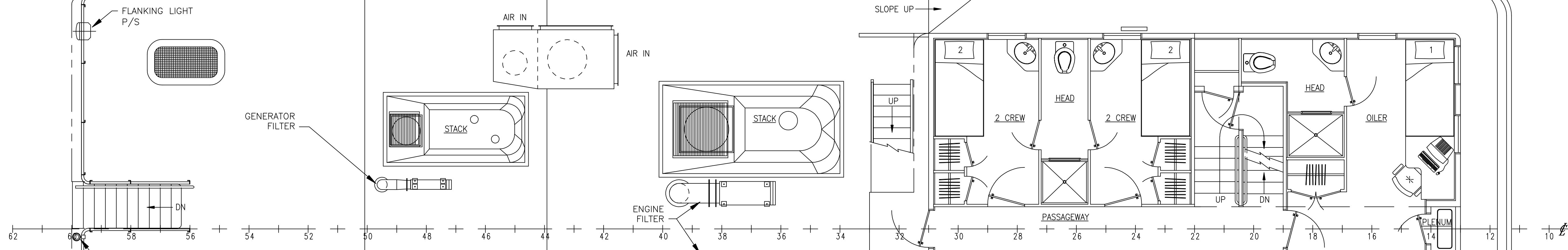
62 60 58 56 54 52 50 48 46 44 42 40 38 36 34 32 30 28 26 24 22 20 18 16 14 12 10



TEXAS DECK ARRANGEMENT

C

C

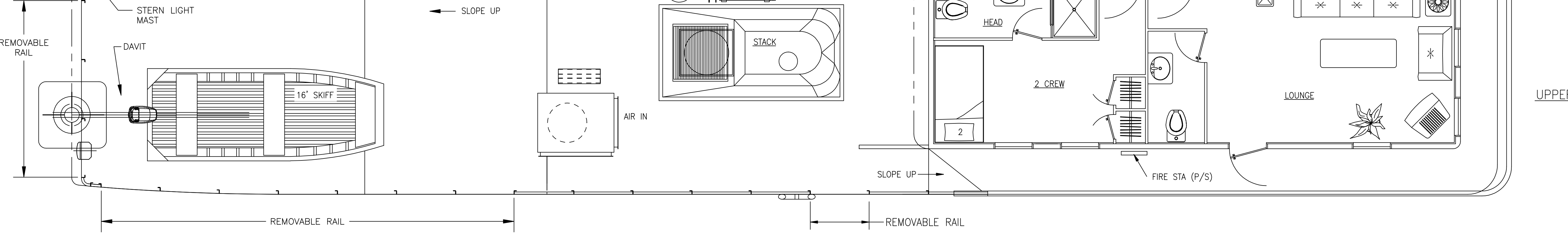


UPPER DECK ARRANGEMENT

B

B

62 60 58 56 54 52 50 48 46 44 42 40 38 36 34 32 30 28 26 24 22 20 18 16 14 12 10



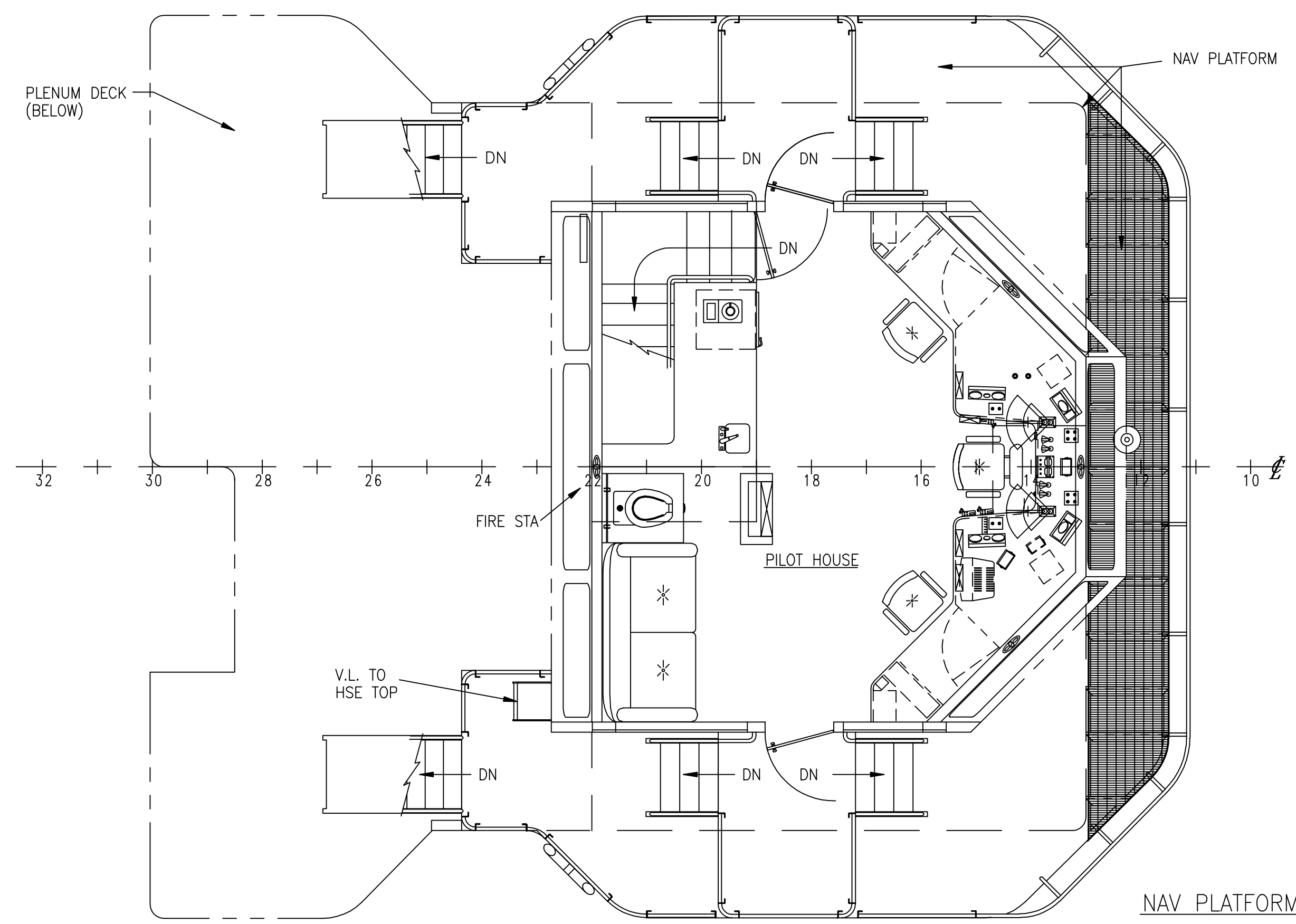
A

A

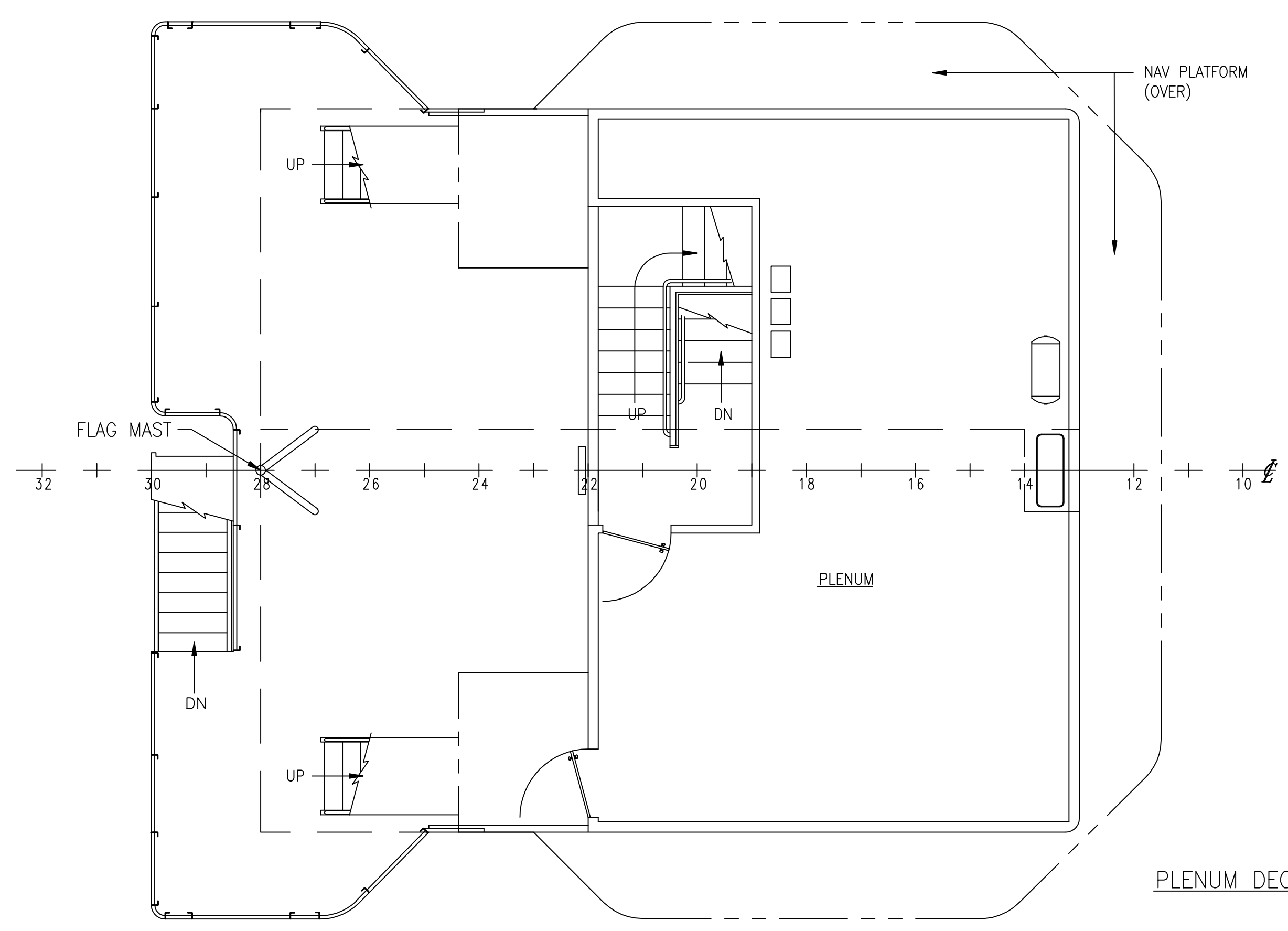
8 7 6 5 4 3 2 1

SIZE	PROJECT NO.	DWG. NO.	REV.
D	2555	622-D215-01	0
SCALE 1/4"=1'-0"		FILE 622-D215-010	SHEET 2 OF 3

REVISIONS				
ZONE	REV	DESCRIPTION	DATE	APPROVED
-	-	-	-	-



NAV PLATFORM AND PILOT HOUSE DECK ARRANGEMENT



PLENUM DECK ARRANGEMENT

<p>ORANGE Shipbuilding Co., Inc. A CONRAD INDUSTRIES CO. 710 MARKET STREET-ORANGE, TEXAS 77630 PHONE 409-883-6666 FAX 409-882-0009</p>	DEPARTMENT OF THE ARMY MARINE DESIGN CENTER CORPS OF ENGINEERS CEMVR 124'-0" TOWBOAT		
	GENERAL ARRANGEMENTS		
DRAWN TTM DATE 10/28/05 CHECKED BY OSB YARD APPV'D A.B.S. APPV'D M.D.C. APPV'D	SIZE PROJECT NO. D 2555 SCALE 1/4" = 1'-0"	DWG. NO. 622-D215-01 FILE 622-D215-010	REV 0 SHEET 1 OF 3