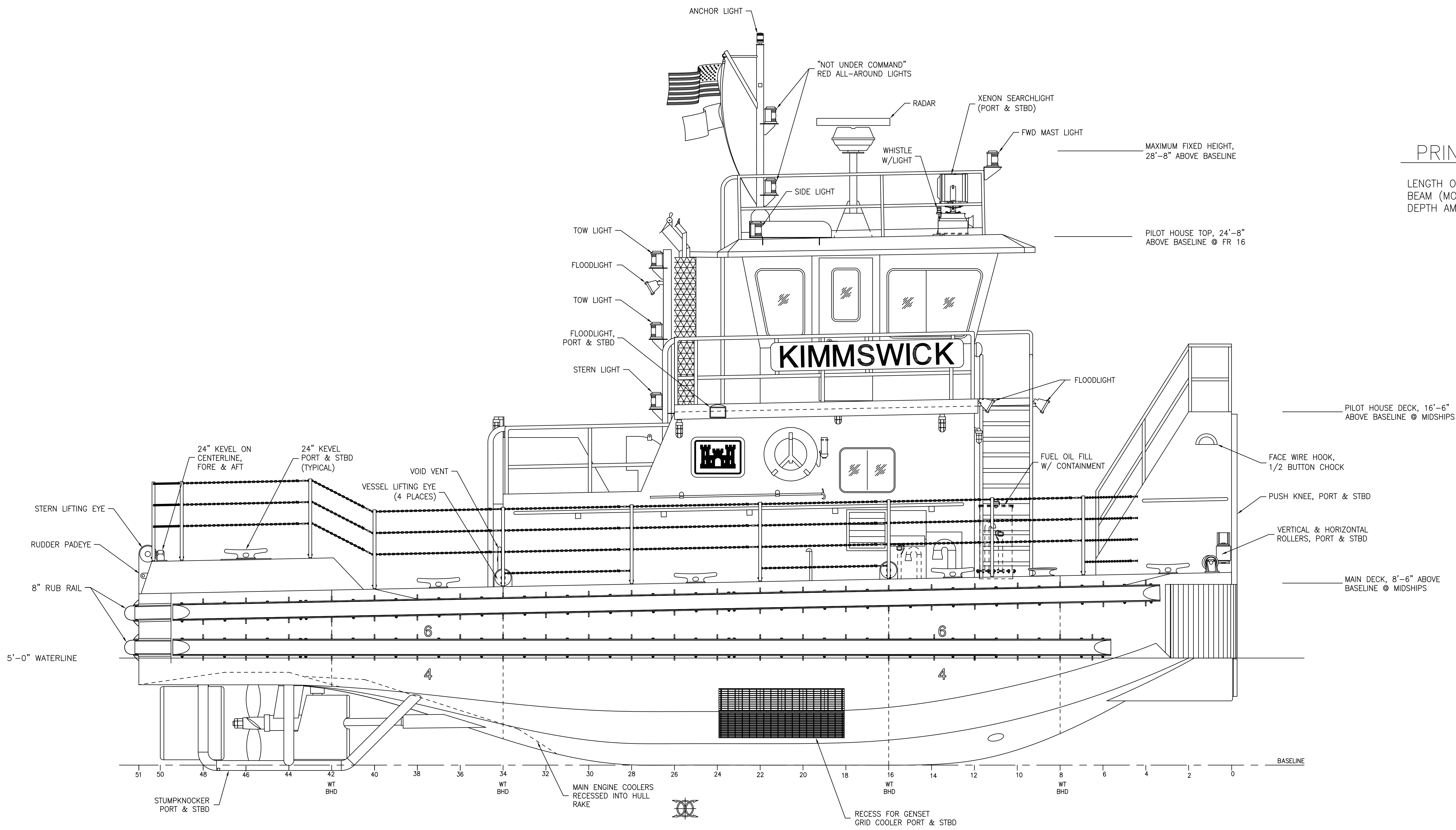
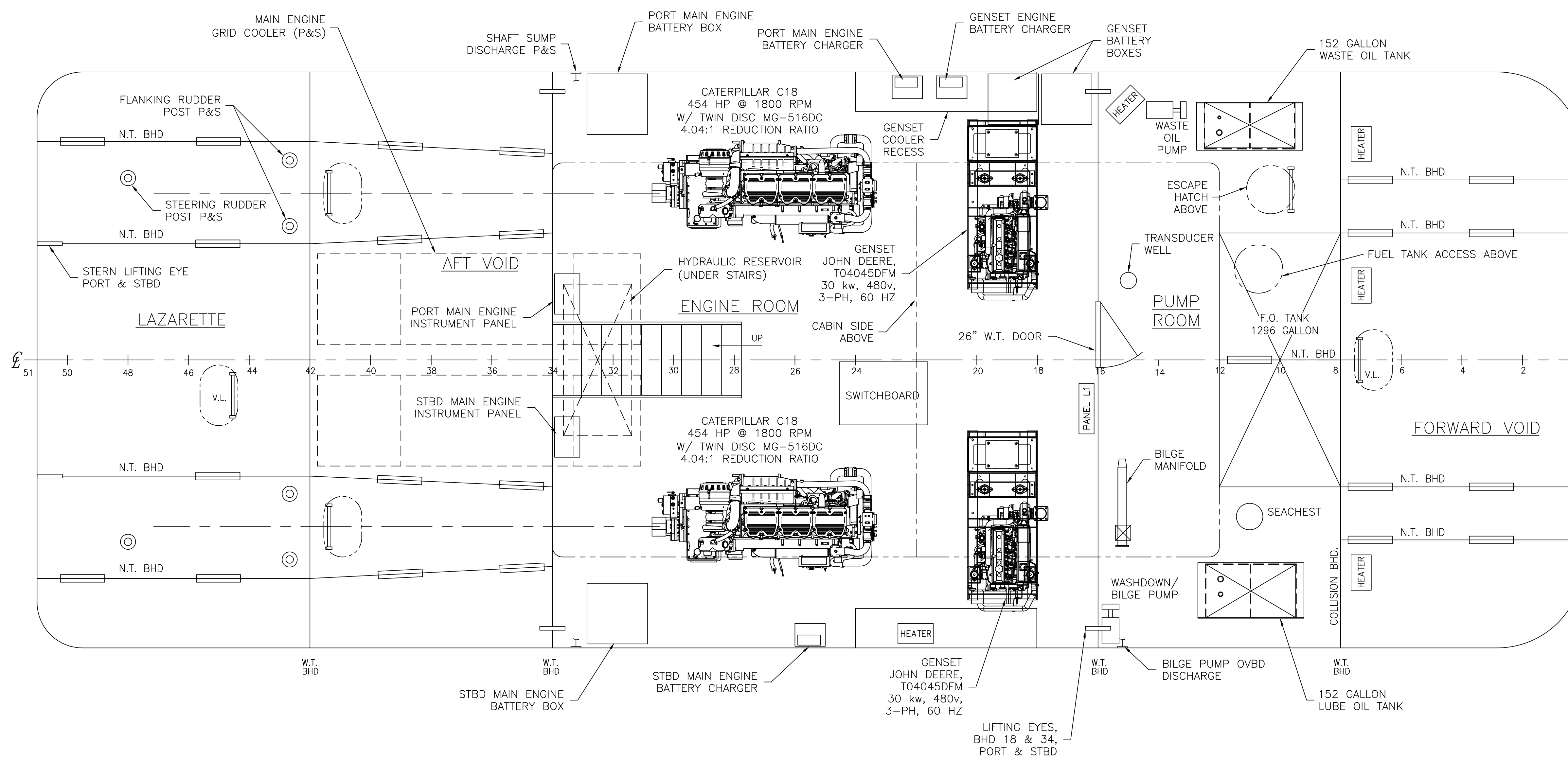


PRINCIPAL DIMENSIONS

LENGTH OVERALL (MOLDED)	51'-0"
BEAM (MOLDED)	19'-0"
DEPTH AMIDSHIPS (MOLDED)	8'-6"

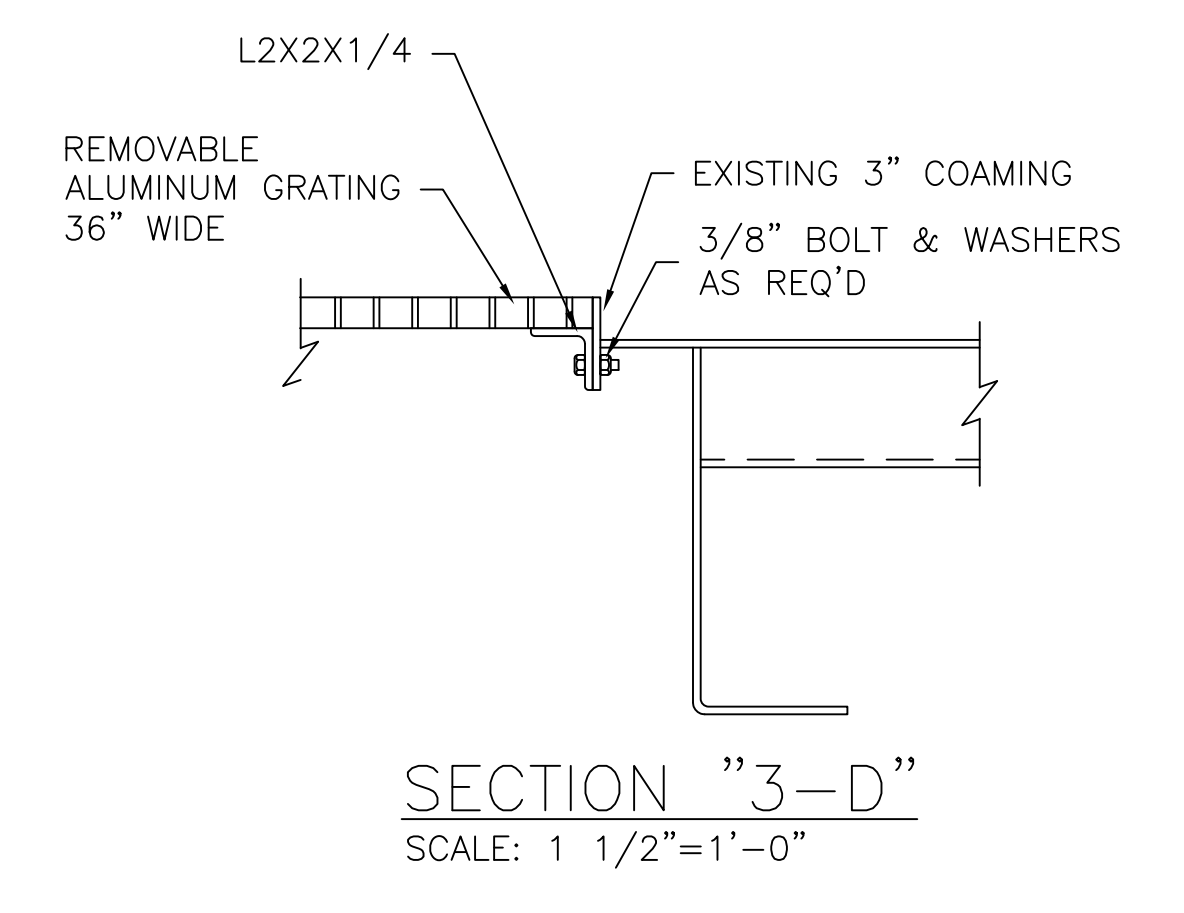
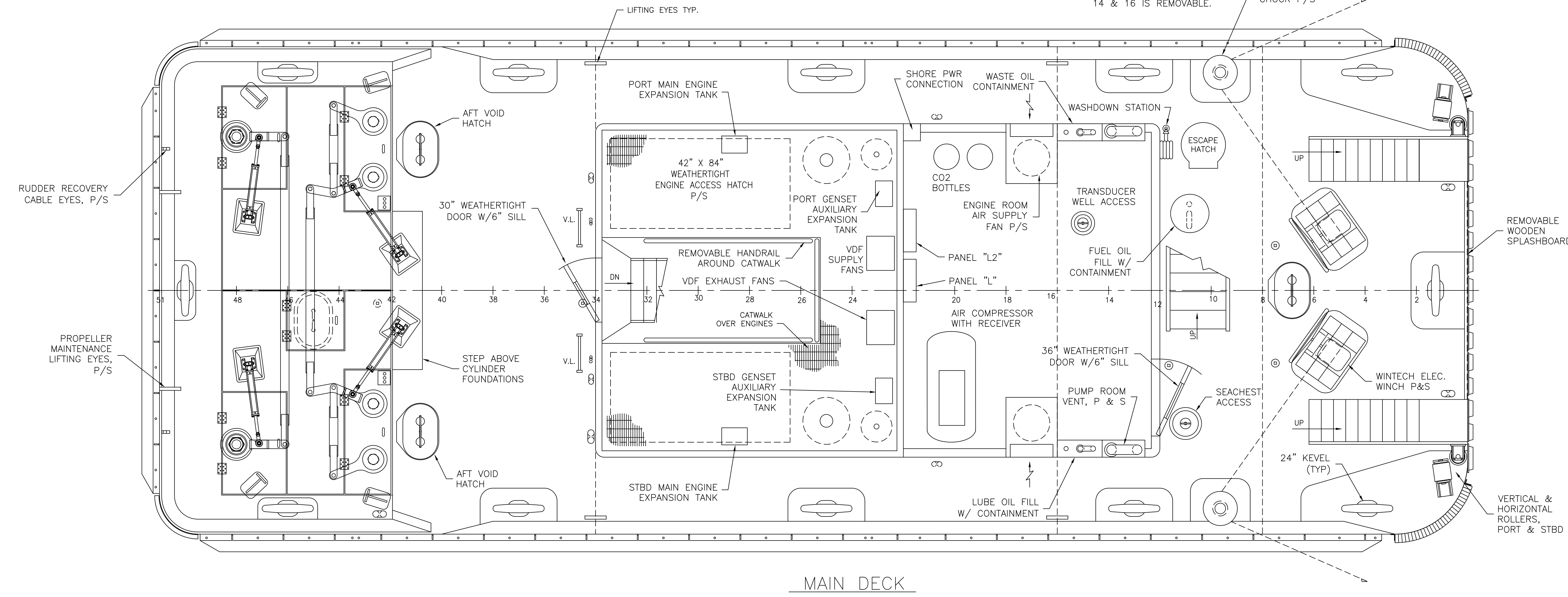
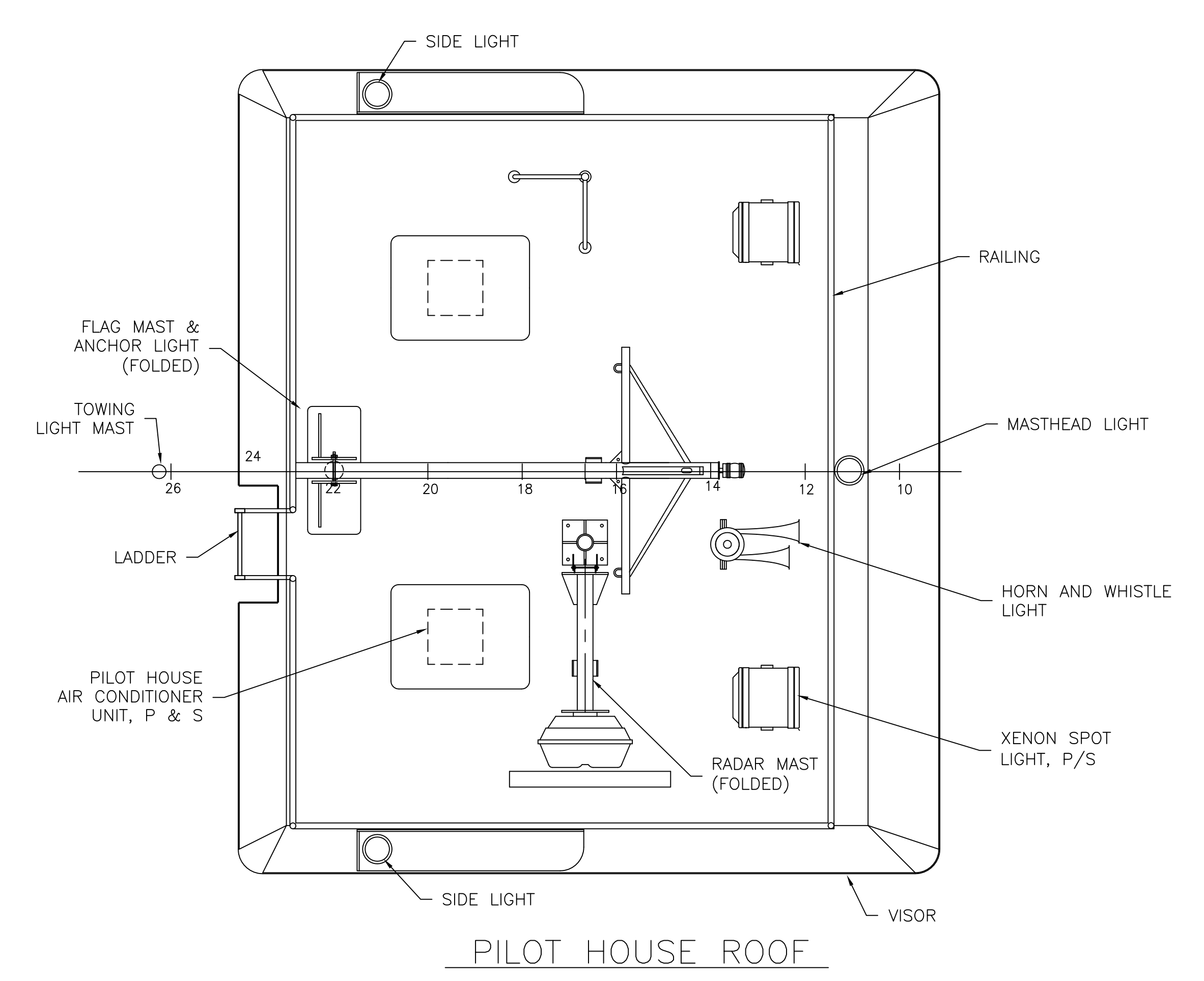
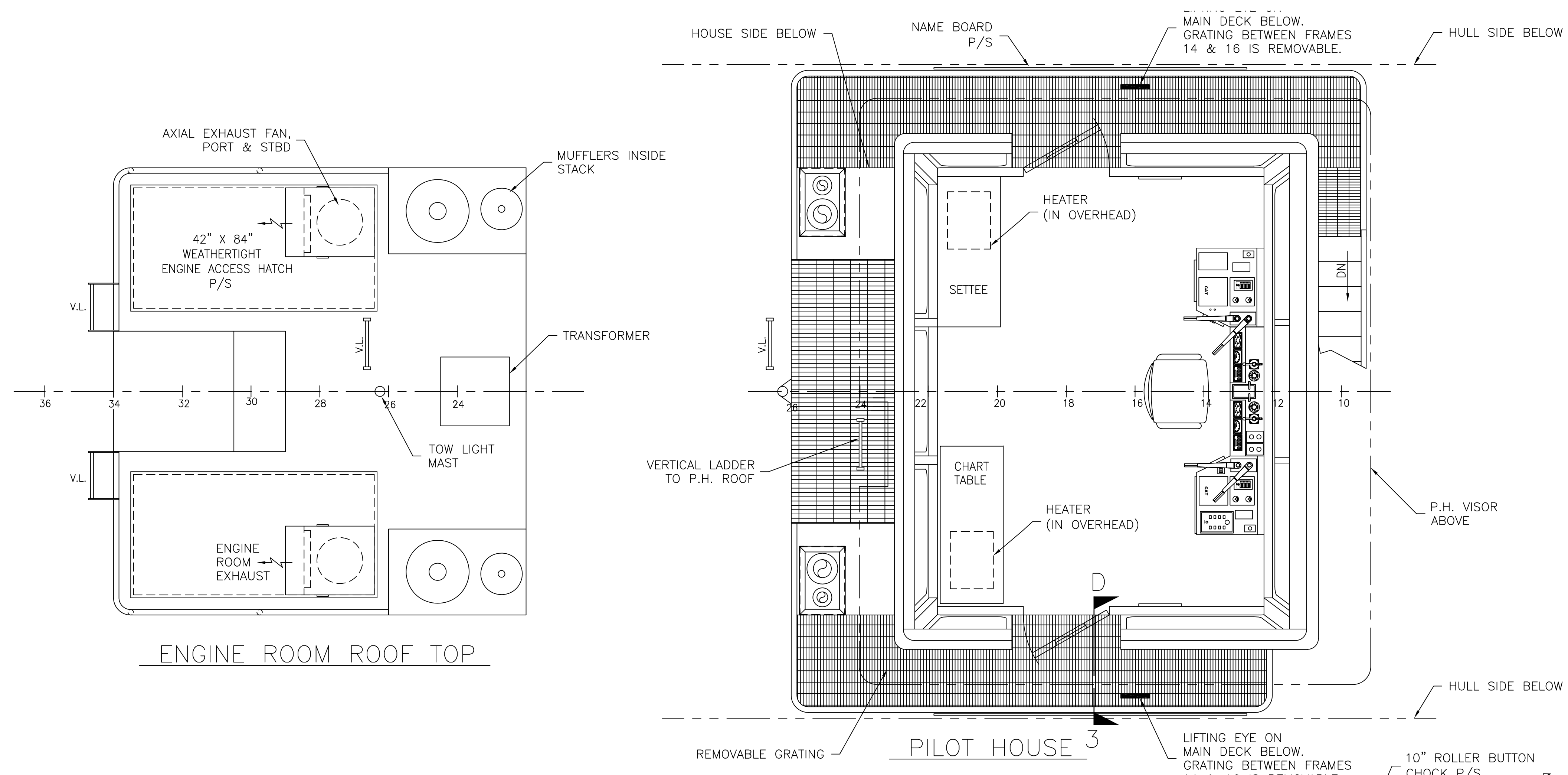


MARINE BUILDERS, INC. 208 W. CHURCH STREET UTICA, INDIANA 47130		DEPARTMENT OF THE ARMY MARINE DESIGN CENTER CORPS OF ENGINEERS ST. LOUIS DISTRICT (51' TOWBOAT) "KIMMSWICK"	
DRAWN BY: R. KILLIAN	CHECKED BY: J. ROBINSON	US Army Corps of Engineers	OUTBOARD PROFILE
DATE: 06/25/04	CONTRACT NO. DACW61-03-C-0027		
MARINE DESIGN CENTER		SIZE D	PROJECT NO. 2551
APPROVED:		DWG. NO. 621-D205-01	REV. 0
DATE:		SCALE: 3/8" = 1'-0"	SHEET 1 OF 1



HOLD ARRANGEMENT

MARINE BUILDERS, INC. 208 W. CHURCH STREET UTICA, INDIANA 47130		DEPARTMENT OF THE ARMY MARINE DESIGN CENTER CORPS OF ENGINEERS	
DRAWN BY: R. KILLIAN	CHECKED BY: J. ROBINSON	ST. LOUIS DISTRICT (51' TOWBOAT) "KIMMSWICK"	
DATE: 06/24/04	CONTRACT NO. DACW61-03-C-0027		
MARINE DESIGN CENTER		US Army Corps of Engineers	
APPROVED:	SIZE D	PROJECT NO. 2551	DWG. NO. 621-D215-01
DATE:	SCALE: 3/8" = 1'-0"	REV. 0	
		SHEET 1 OF 2	



SIZE	PROJECT NO.	DWG. NO.	REV.
D	2551	621-D215-01	0
SCALE: 3/8" = 1'-0"		SHEET 2 OF 2	