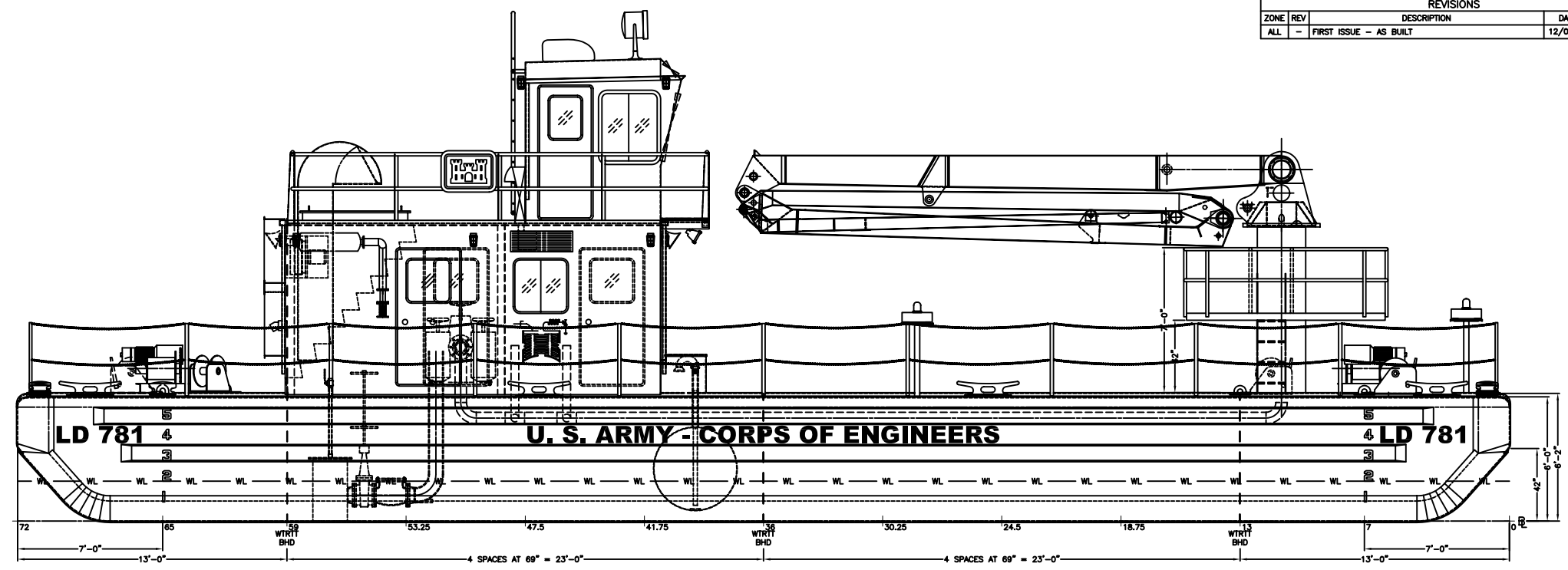
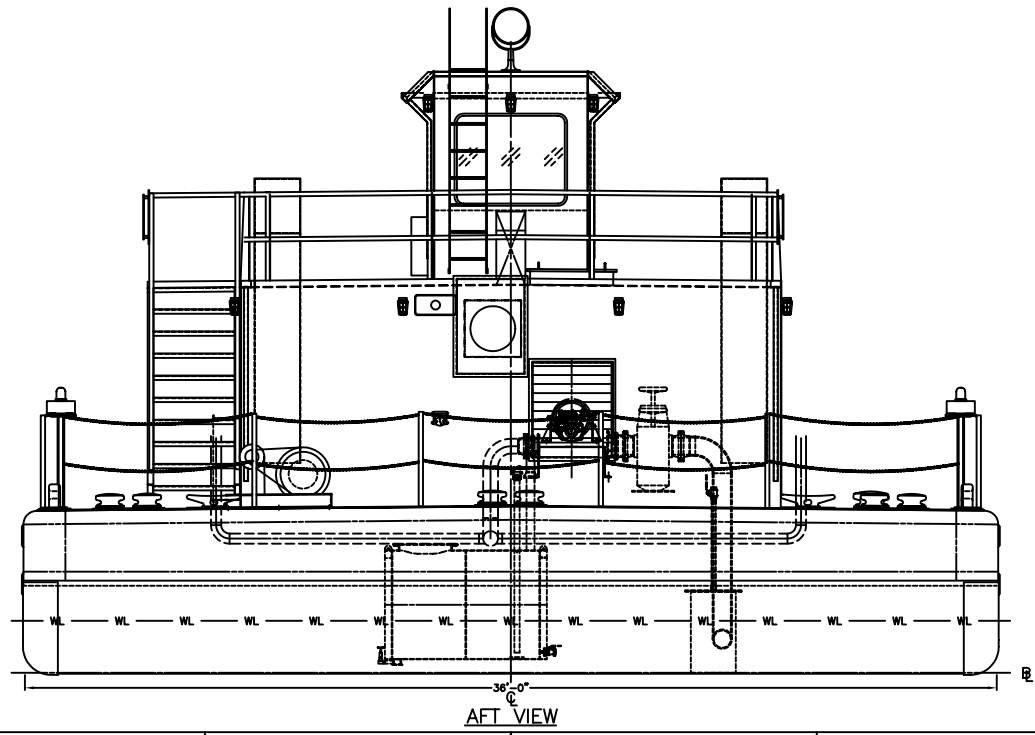


DRAWING NUMBER <b>602-D205-01</b>		SHEET REV 1 OF 1 -		1	
REVISIONS					
ZONE	REV	DESCRIPTION	DATE	APPROVED	
ALL	-	FIRST ISSUE - AS BUILT	12/07/01		



OUTBOARD PROFILE



AFT VIEW

**PRINCIPAL CHARACTERISTICS**

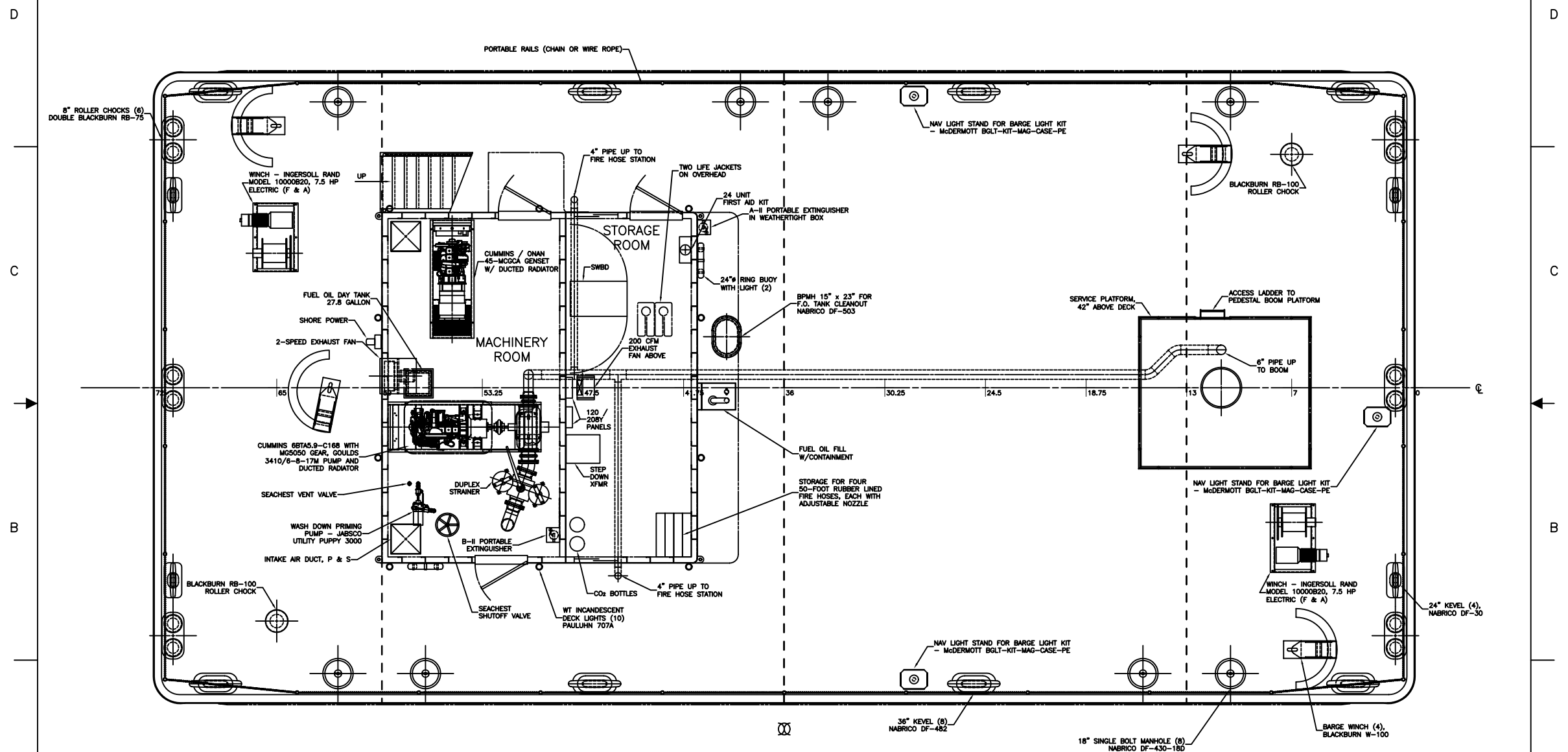
LENGTH (MOLDED)	72'-0"
BEAM (MOLDED)	36'-0"
DEPTH (MOLDED)	6'-0" (AT SIDE)
DEPTH (MOLDED)	6'-2" (AT C.L.)
DESIGN DRAFT ABOUT	2'-0"

BASIC MARINE, INC. P.O. BOX 548 ESCAMBA, MI 49829 (800) 786-7120		DEPARTMENT OF THE ARMY MARINE DESIGN CENTER CORPS OF ENGINEERS	
BMI HULL No. 112		(CELRL) "OLMSTED" WASHDOWN BARGE	
DRAWN BY: W.G. HITT		72'-0" x 36'-0" x 6'-0"	
DATE: 07 DECEMBER 2001		US Army Corps of Engineers	
APPROVED BY:		OUTBOARD PROFILE AND AFT VIEW	
DACW61-00-C-0018		SIZE: MDC PROJECT	DRAWING NUMBER
		D: 2487	602-D205-01
TGMD 99109/D205011-		SCALE: 3/8" = 1'-0"	SHEET: 1 OF 1

DRAWING NUMBER <b>602-D215-01</b>		SHEET REV 1 OF 3		1	
REVISIONS					
ZONE	REV	DESCRIPTION	DATE	APPROVED	
ALL	-	FIRST ISSUE - AS BUILT	12/04/01		

**GENERAL NOTES**

1. THE BOOM (SHOWN ON SHEET 2) IS A SCHWING AMERICA INC. (MODEL KVM 32XL).
2. FRAME NUMBERING REPRESENTS DISTANCE IN FEET FROM HEADLOS



**PLAN MAIN DECK**

BASIC MARINE, INC. P.O. BOX 548 ESCAMBA, MI 49829 (900) 786-7120		DEPARTMENT OF THE ARMY MARINE DESIGN CENTER CORPS OF ENGINEERS	
BMI HULL No. 112		(CELRL) "OLMSTED" WASHDOWN BARGE 72'-0" x 36'-0" x 6'-0"	
DRAWN BY: W.G. HITT		US Army Corps of Engineers	
DATE: 04 DECEMBER 2001		GENERAL ARRANGEMENT	
APPROVED BY:		DRAWING NUMBER	
DACW61-00-C-0018		D 2487	
TGMD 99109/D215011-		DRAWING NUMBER	
		602-D215-01	
		SCALE: 3/8" = 1'-0"	
		SHEET: 1 OF 3	

16

15

14

13

12

11

DRAWING NUMBER  
602-D215-01

SHEET  
2 OF 3

9

D

D

C

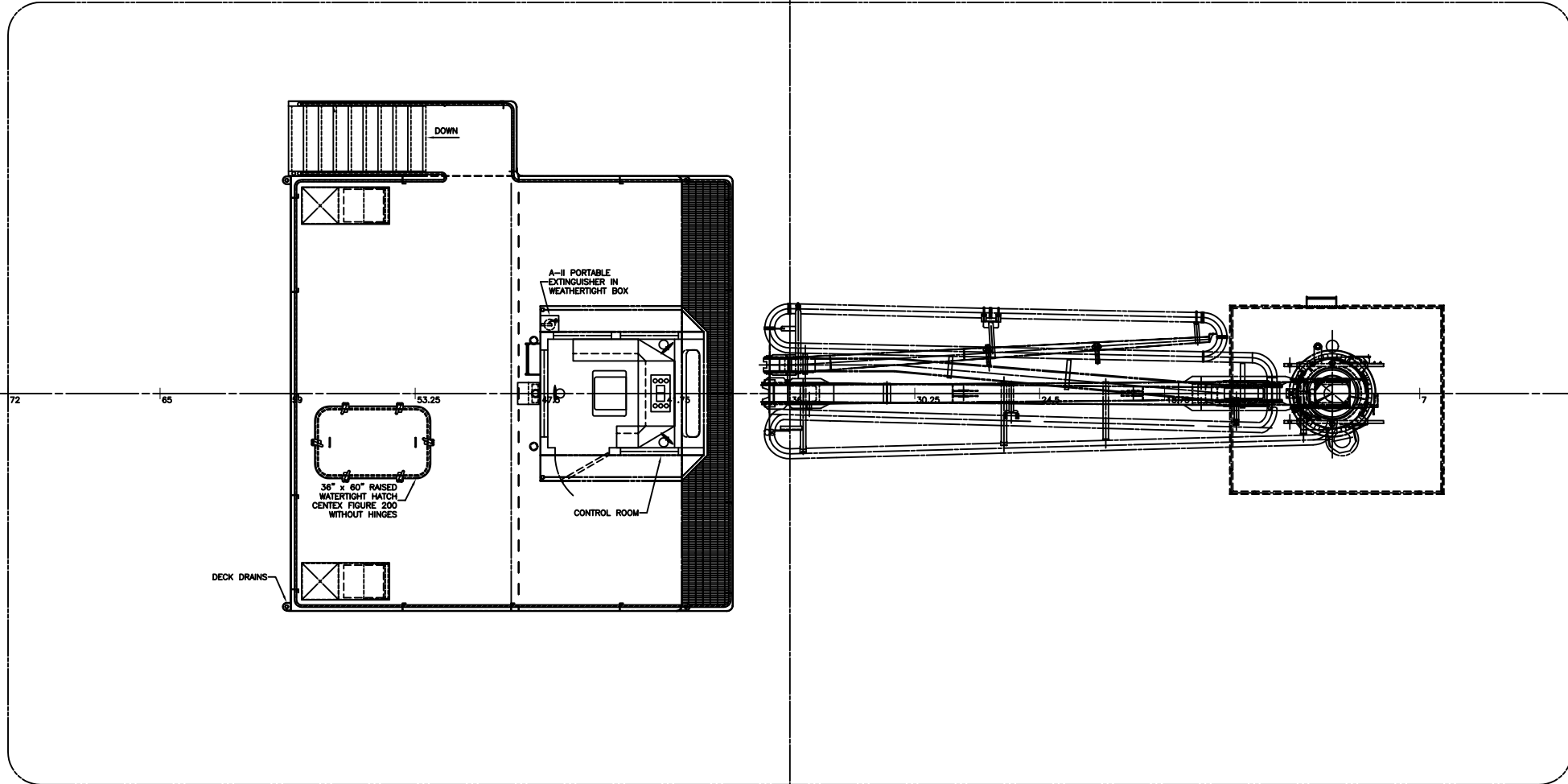
C

B

B

A

A



72

65

53.25

30.25

7

0

⊕

∅

UPPER DECKHOUSE/OPERATORS LEVEL

DRAWN BY:	W.G. HITT	SIZE:	D	MDC PROJECT:	2487	DRAWING NUMBER:	602-D215-01	REV.:	-
DATE:	04 DECEMBER 2001	SCALE:	3/8" = 1'-0"	SHEET:		2 OF 3			
DACW61-00-C-0018		TGMD 99109/D215012-		9		9		PLT LIMITS AT SCALE: 3/8"-12	

16

15

14

13

12

11

10

9

24

23

22

21

20

19

DRAWING NUMBER  
602-D215-01

SHEET  
3 OF 3

17

D

D

C

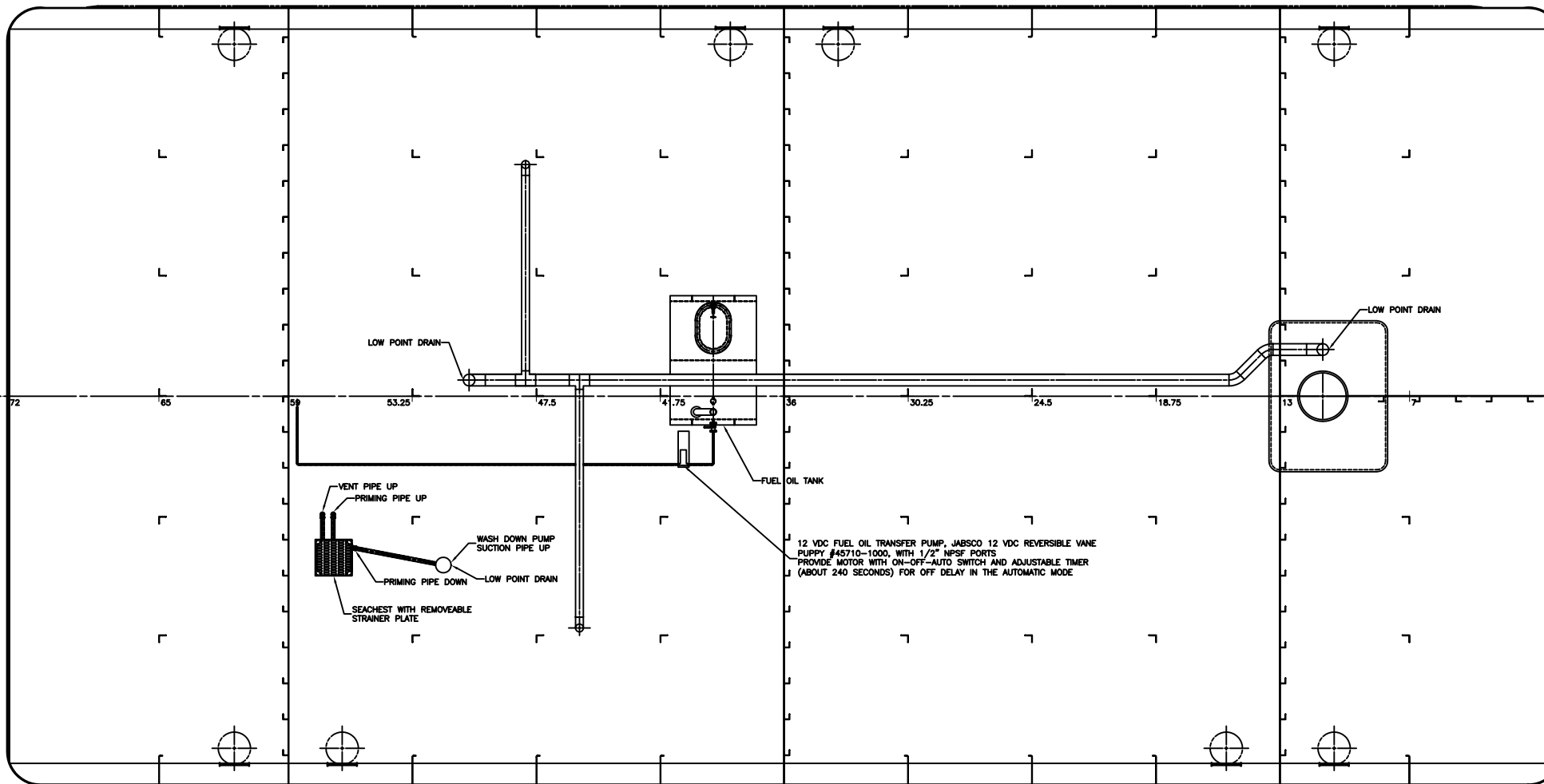
C

B

B

A

A



LOW POINT DRAIN

LOW POINT DRAIN

VENT PIPE UP

PRIMING PIPE UP

WASH DOWN PUMP

SUCTION PIPE UP

PRIMING PIPE DOWN

LOW POINT DRAIN

SEACHEST WITH REMOVEABLE STRAINER PLATE

FUEL OIL TANK

12 VDC FUEL OIL TRANSFER PUMP, JABSCO 12 VDC REVERSIBLE VANE PUPPY #45710-1000, WITH 1/2" NPSF PORTS. PROVIDE MOTOR WITH ON-OFF-AUTO SWITCH AND ADJUSTABLE TIMER (ABOUT 240 SECONDS) FOR OFF DELAY IN THE AUTOMATIC MODE.

Ø  
HOLD

DRAWN BY:	W.G. HITT	SIZE:	D	MDC PROJECT:	2487	DRAWING NUMBER:	602-D215-01	REV.:	-
DATE:	04 DECEMBER 2001	SCALE:	3/8" = 1'-0"	SHEET:		3 OF 3			
TGMD 99109/D2150132-									

24

23

22

21

20

19

18

17

PLT LIMITS AT SCALE: 3/8"=1'-0"