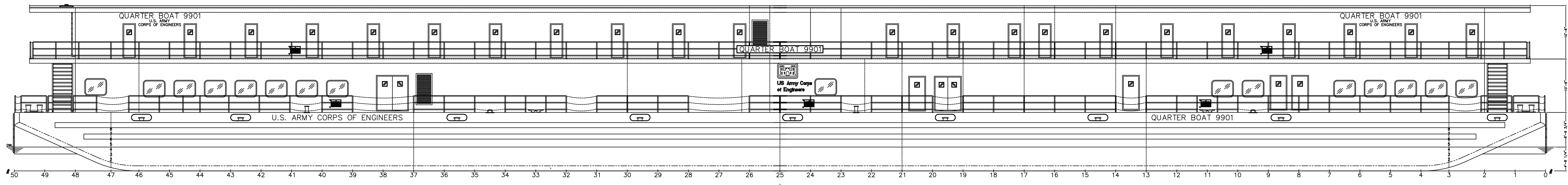
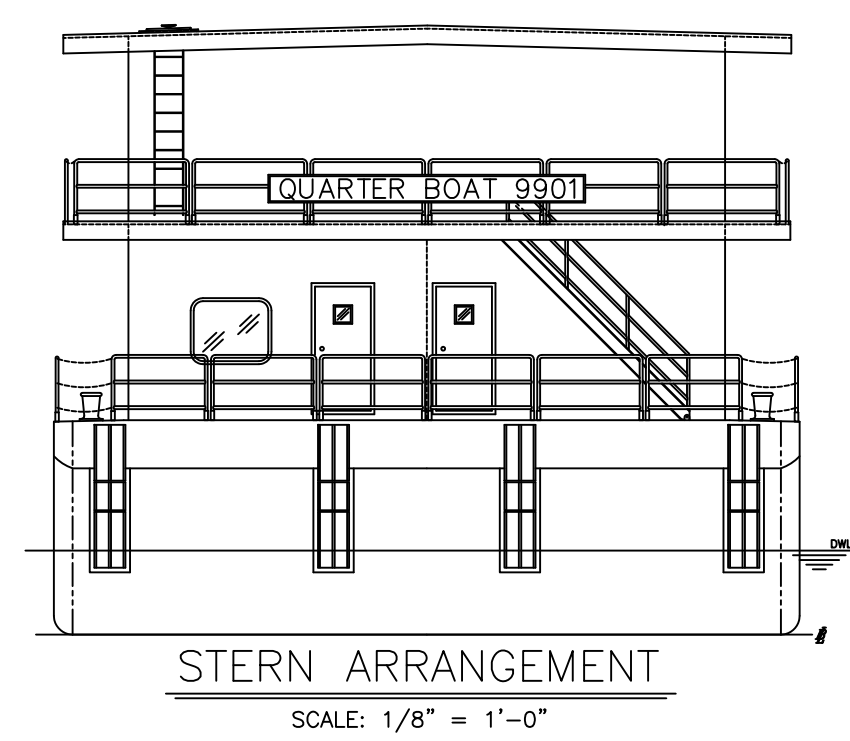
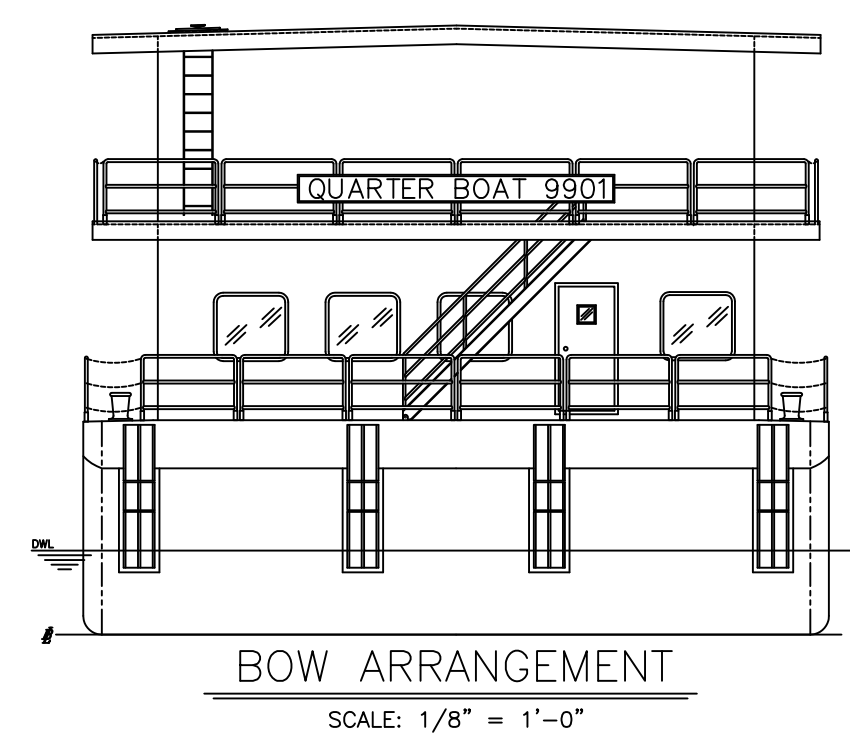


REVISIONS			
SYM.	DESCRIPTION	DATE	APPROVED
0	AS BUILT; ISSUED AS 'REV. 0'	2-20-01	



PARTICULARS

MOLDED

LENGTH OVERALL	301'-0"
BEAM OVERALL	40'-0"
DEPTH @ CL	11'-6"
DEPTH @ SIDE	11'-5"
FULL LOAD DRAFT, FW	4'-8 1/4"
FULL LOAD AIR DRAFT	27'-9 3/4"
FULL LOAD DISPLACEMENT	1425 LT
STATEROOMS	43
BUNKS	170
MESS HALL SEATING	223

NO.	TITLE	DWG. NO.
1	GENERAL ARRANGEMENTS	523-D215-01

REFERENCES

PATTI SHIPYARD INC.		DEPARTMENT OF THE ARMY MARINE DESIGN CENTER CORPS OF ENGINEERS	
DRAWN BY: T. CARVER	CHECKED BY: N. STONE	301' QUARTERS/GALLEY BARGE (MDC HULL 523)	
APPROVED BY: F. PATTI	DWG. NO. 523-D205-01		
DATE: 8-2-99	CONTRACT NO. DACW61-98-C-0025	PROJECT NO. 2302	REV. 0
MARINE DESIGN CENTER		SCALE: AS STATED	SHEET 1 OF 1