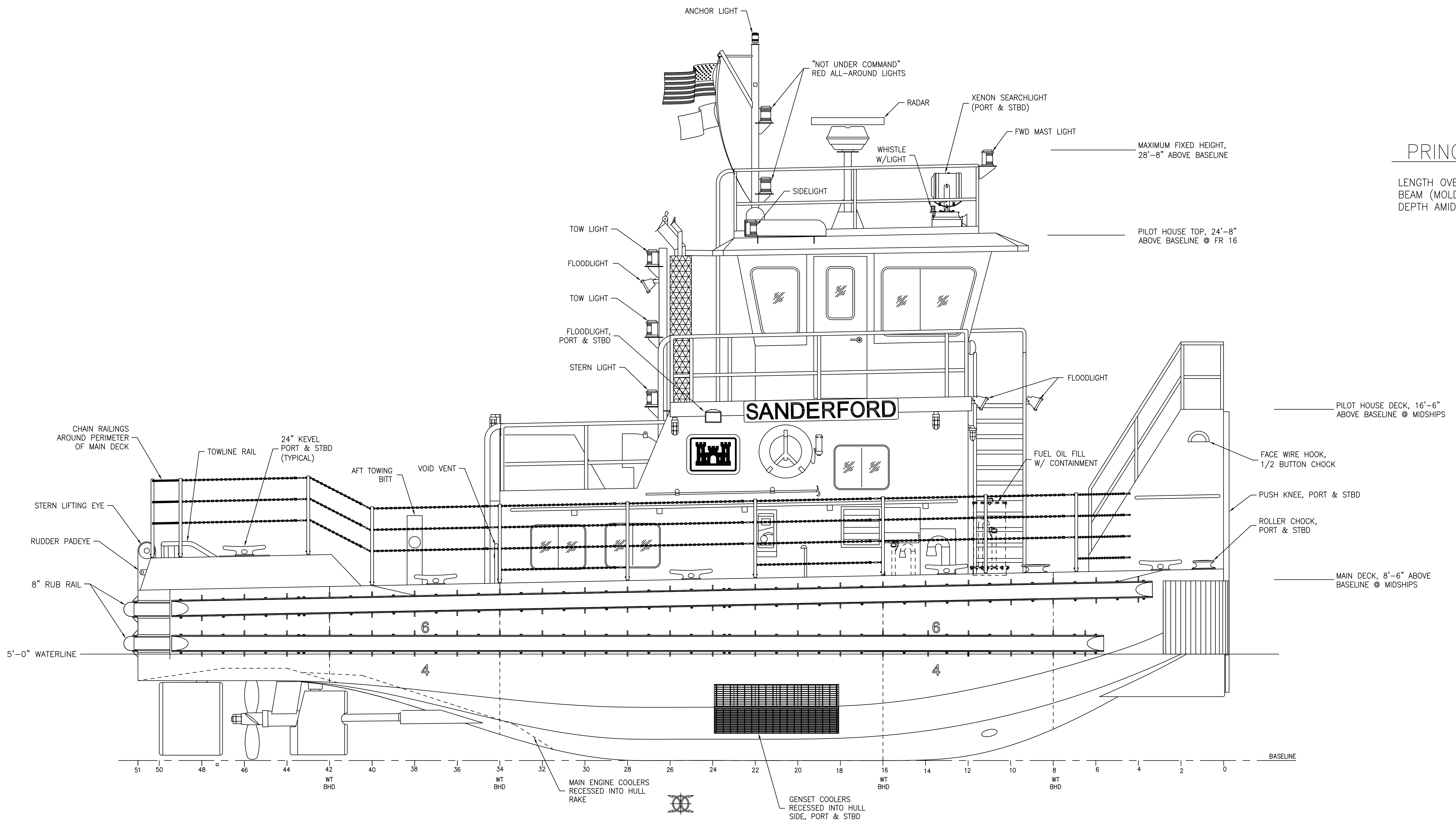
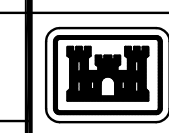


**PRINCIPAL DIMENSIONS**

LENGTH OVERALL (MOLDED) 51'-0"  
 BEAM (MOLDED) 19'-0"  
 DEPTH AMIDSHIPS (MOLDED) 8'-6"



MARINE BUILDERS, INC. 208 W. CHURCH STREET UTICA, INDIANA 47130		DEPARTMENT OF THE ARMY MARINE DESIGN CENTER CORPS OF ENGINEERS VICKSBURG DISTRICT (51' TOWBOAT) "SANDERFORD"	
DRAWN BY: R. KILLIAN	CHECKED BY: J. ROBINSON	 US Army Corps of Engineers	
DATE: 12/09/05	CONTRACT NO. DACW61-03-C-0027		
MARINE DESIGN CENTER		OUTBOARD PROFILE	
APPROVED:	SIZE PROJECT NO. D 2521	DWG. NO. 611-D205-01	REV. 0
DATE:	SCALE: 3/8" = 1'-0"		SHEET 1 OF 1

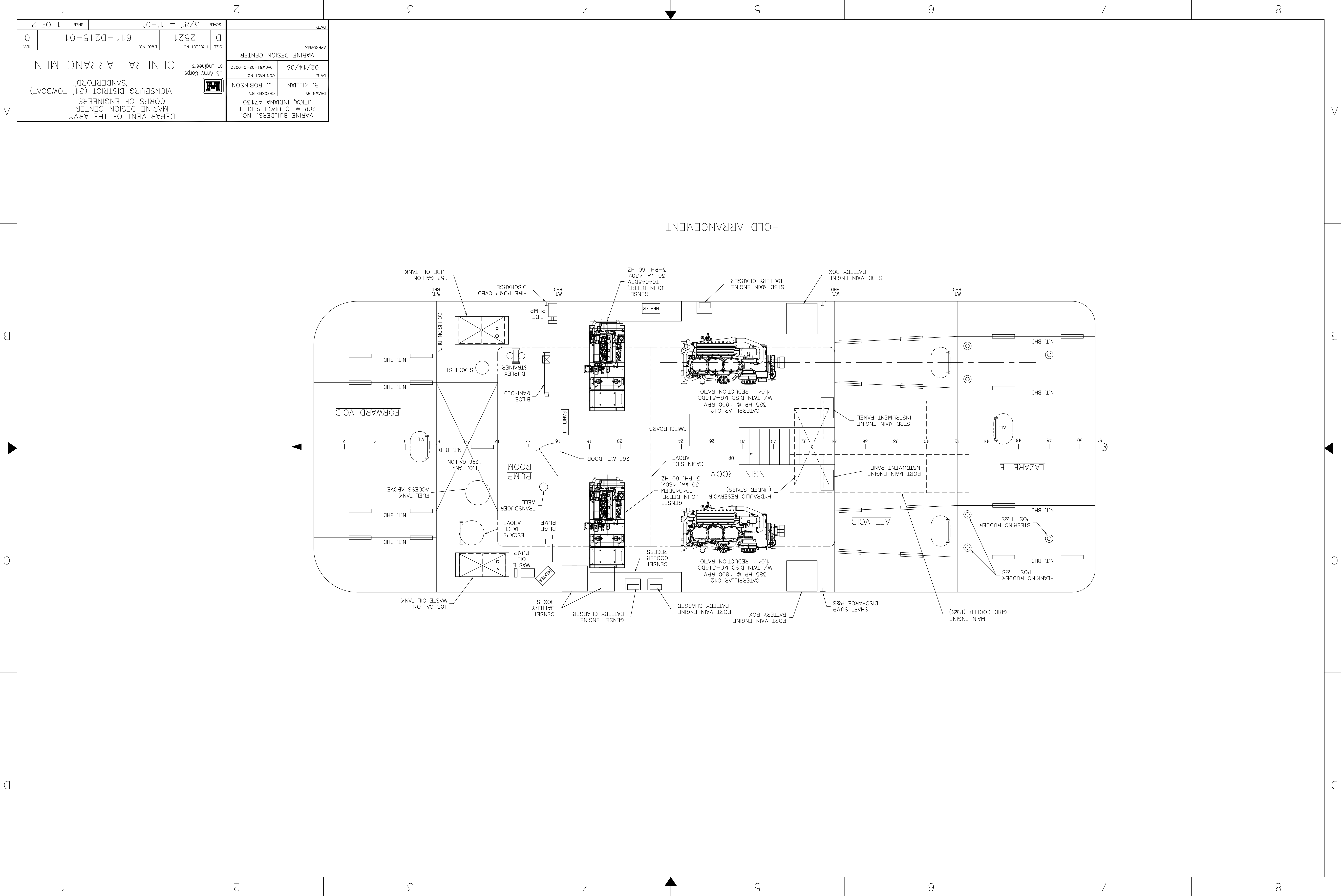
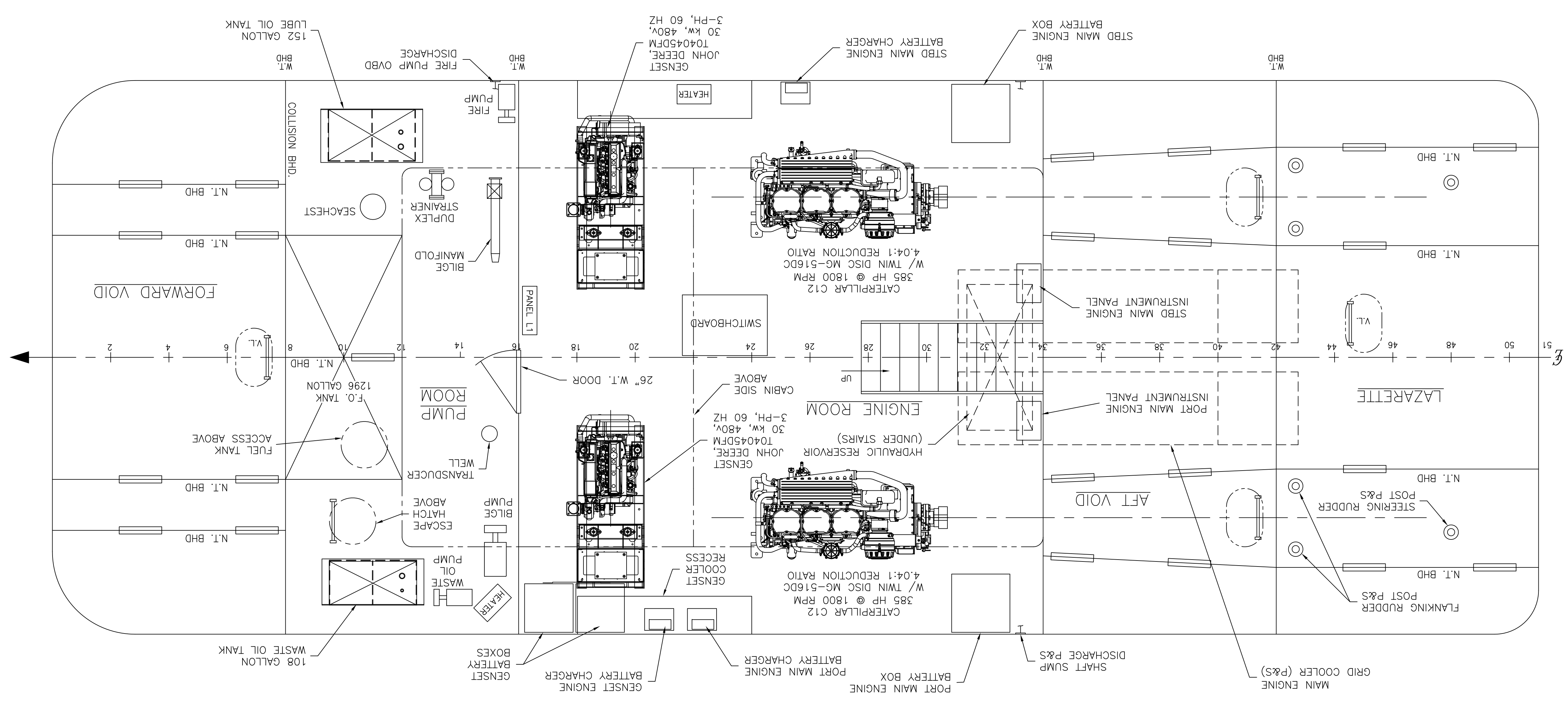
DATE:	02/14/06	DESIGN NO.:	611-D215-01
DESIGNED BY:	R. KILLIAN	CHECKED BY:	J. ROBINSON
DATE:	02/14/06	CONTRACT NO.:	DMCR1-03-C-0027
APPROVED:	MARINE DESIGN CENTER		
SIZE:	D	PROJECT NO.:	2521
REV.:	0	DWG. NO.:	611-D215-01
SHEET 1 OF 2		SCALE: 3/8" = 1'-0"	

DEPARTMENT OF THE ARMY  
MARINE DESIGN CENTER  
208 W. CHURCH STREET  
UTICA, INDIANA 47130

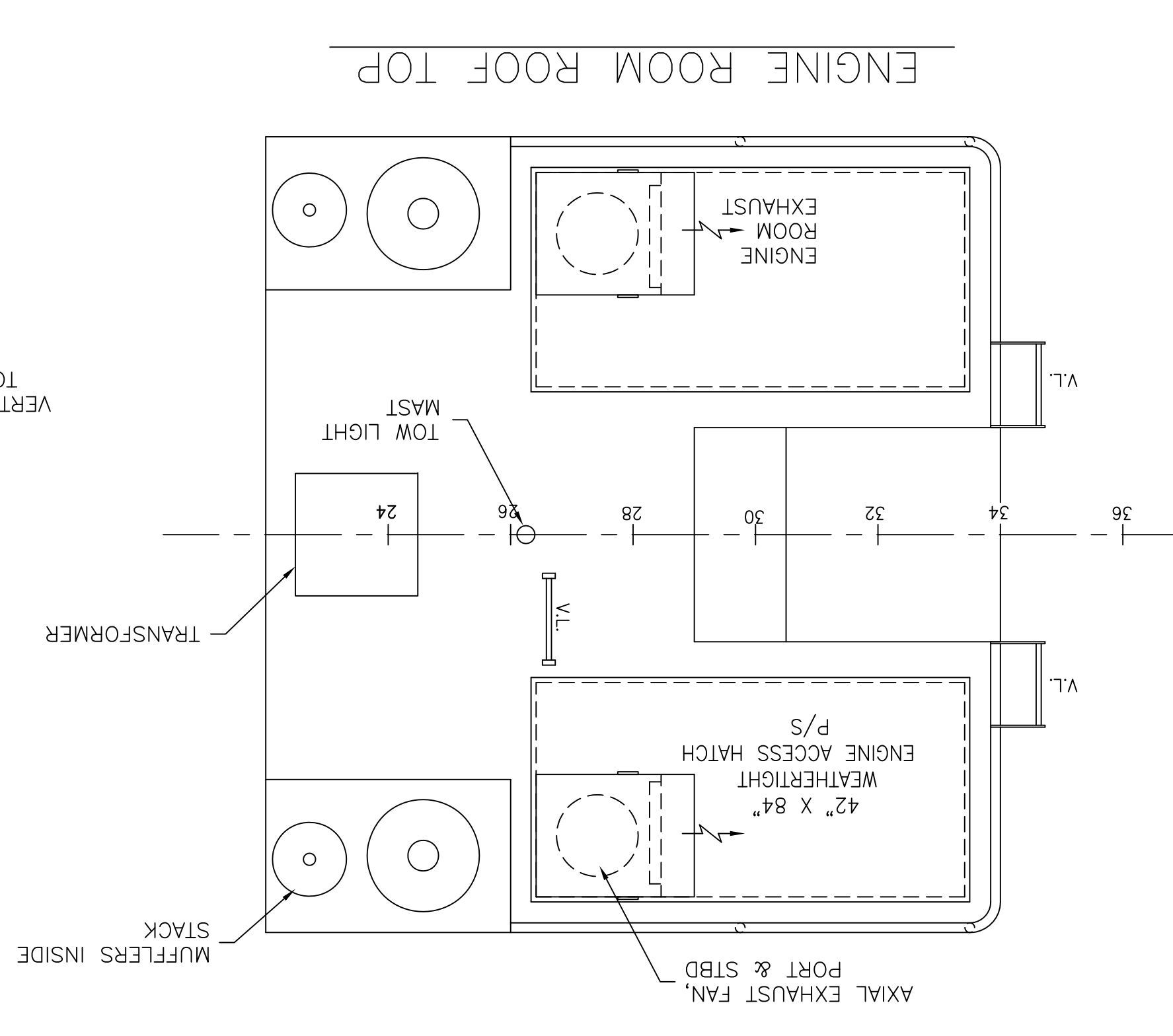
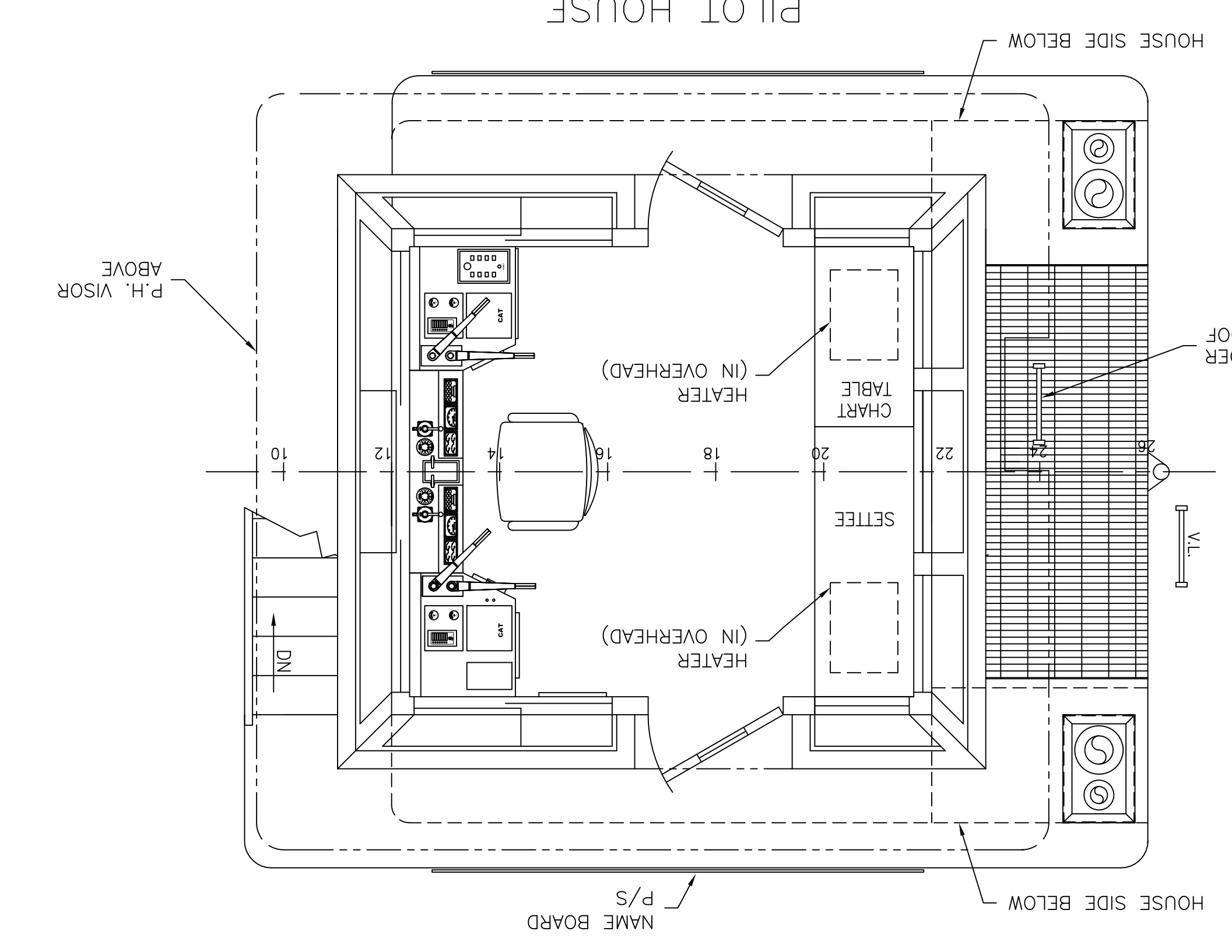
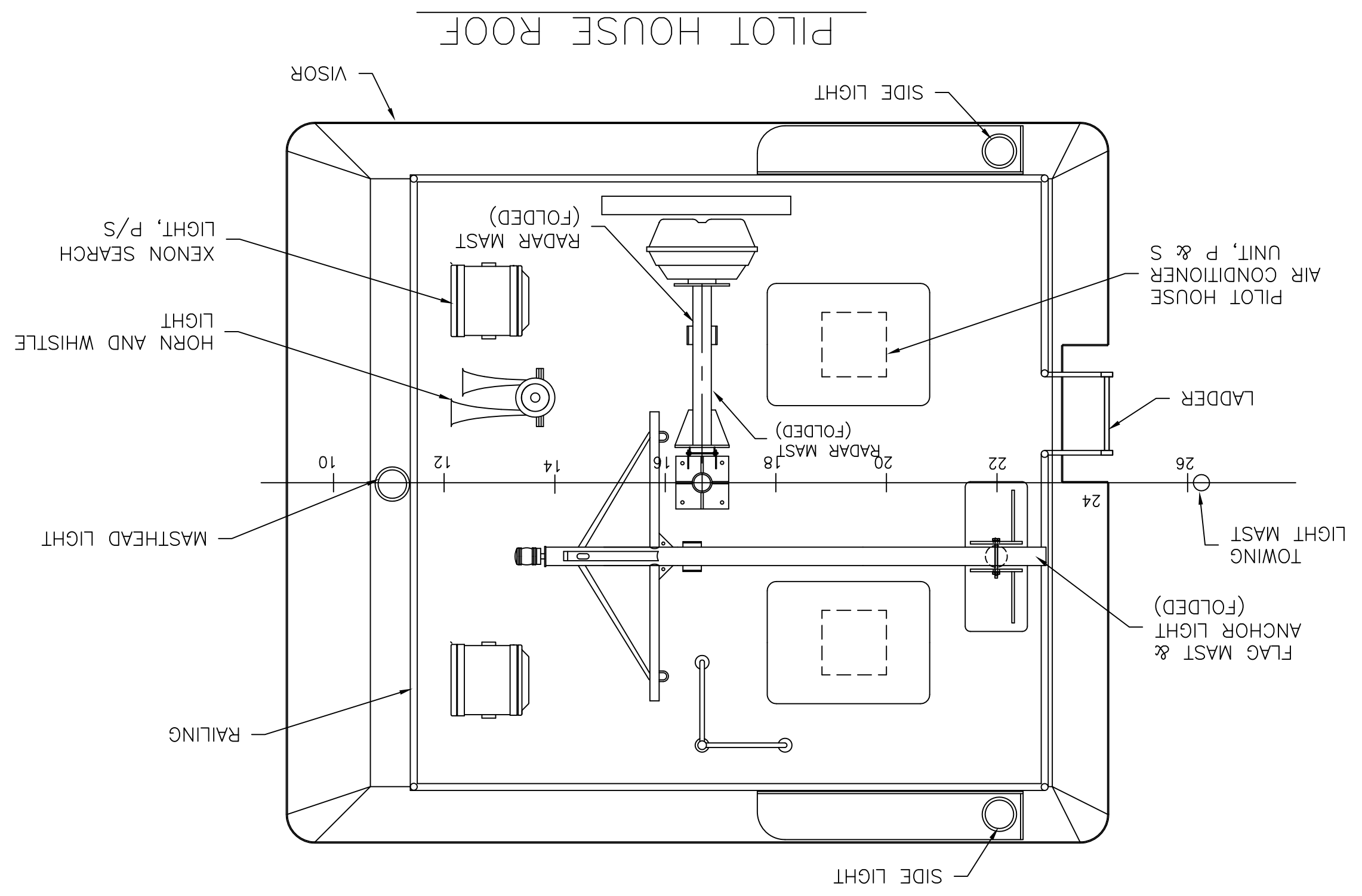
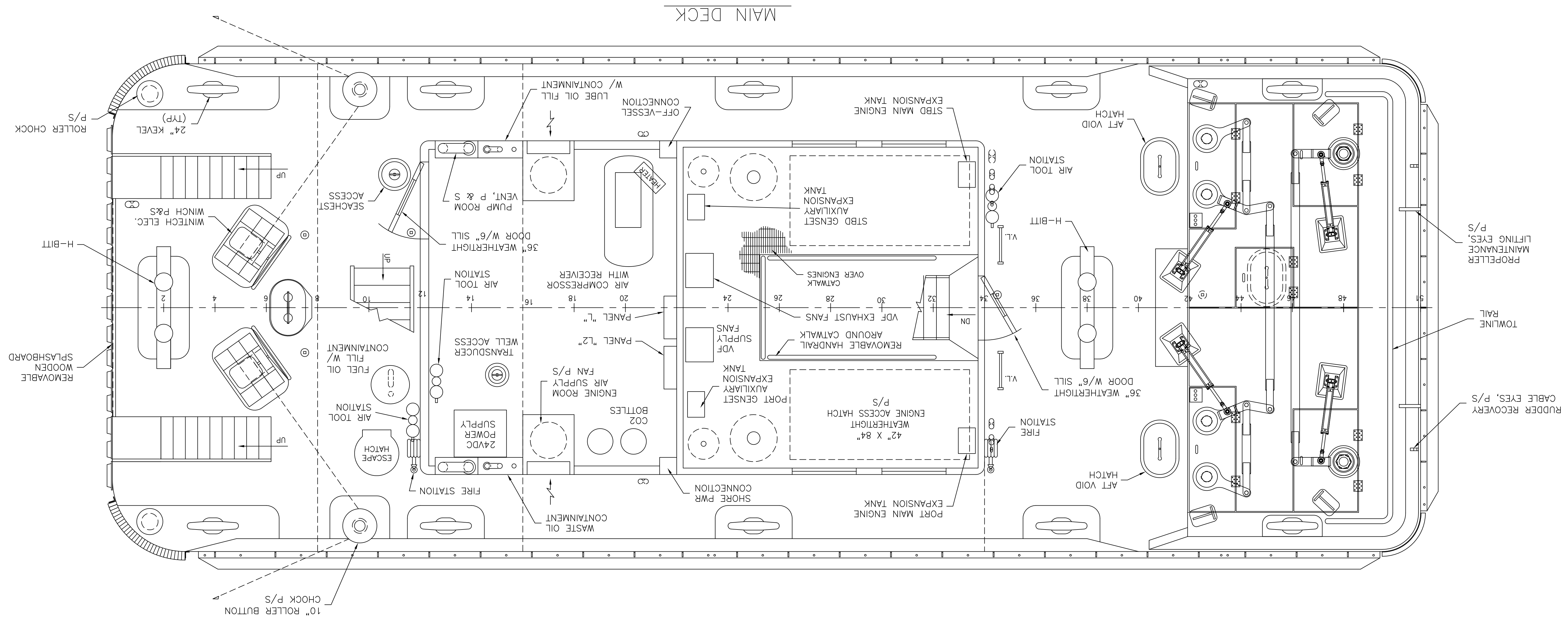
CORPS OF ENGINEERS  
VICKSBURG DISTRICT (51' TOWBOAT)  
"SANDERFORD"

US Army Corps of Engineers

HOLD ARRANGEMENT



REV.	0	611-D215-01	DWG. NO.
SIZE	D	2521	PROJECT NO.
SCALE		3/8" = 1'-0"	
SHEET		2 OF 2	



PROPELLER  
MAINTENANCE  
LIFTING EYES, P/S

TOWLINE  
RAIL

RUDDER RECOVERY  
CABLE RECOVERY  
P/S