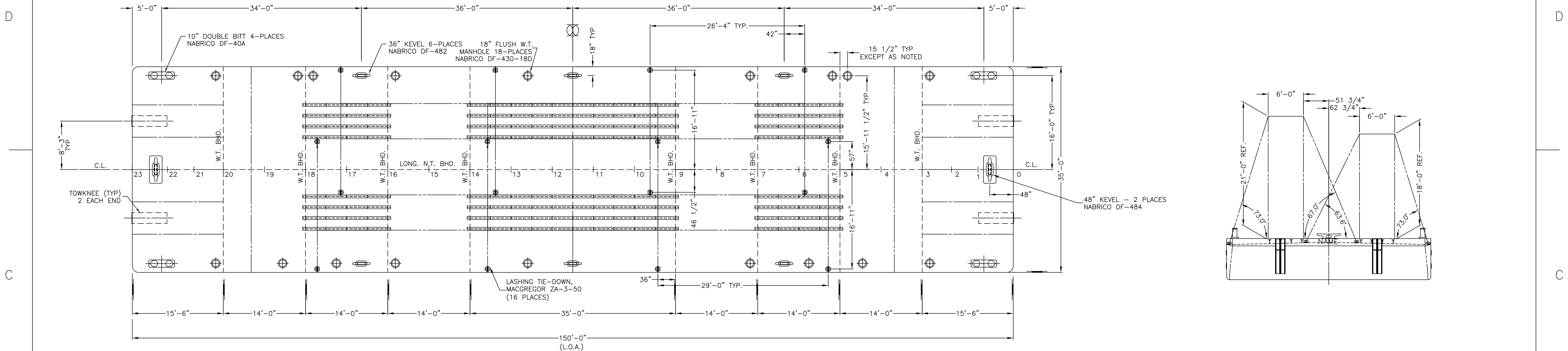
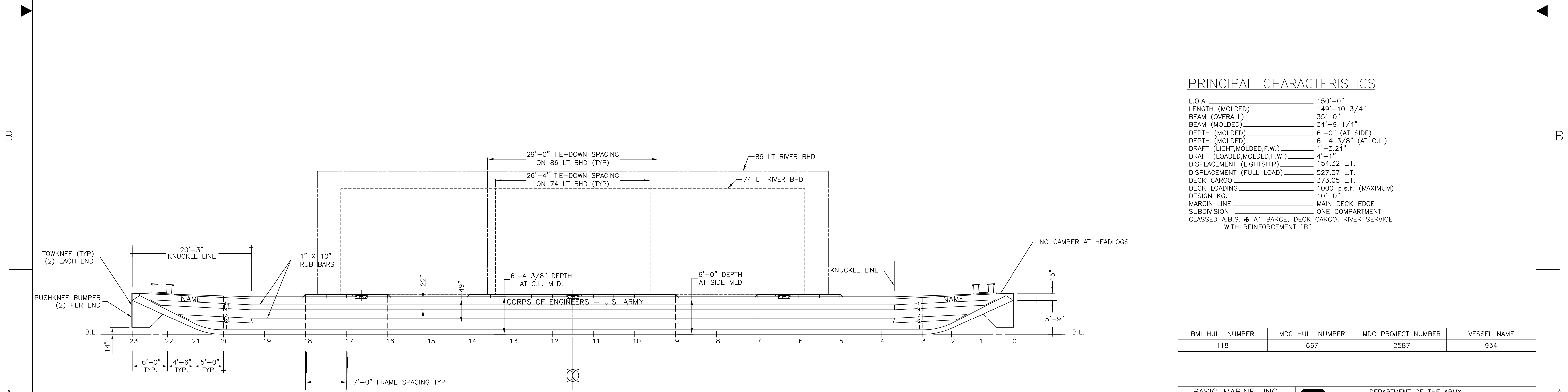
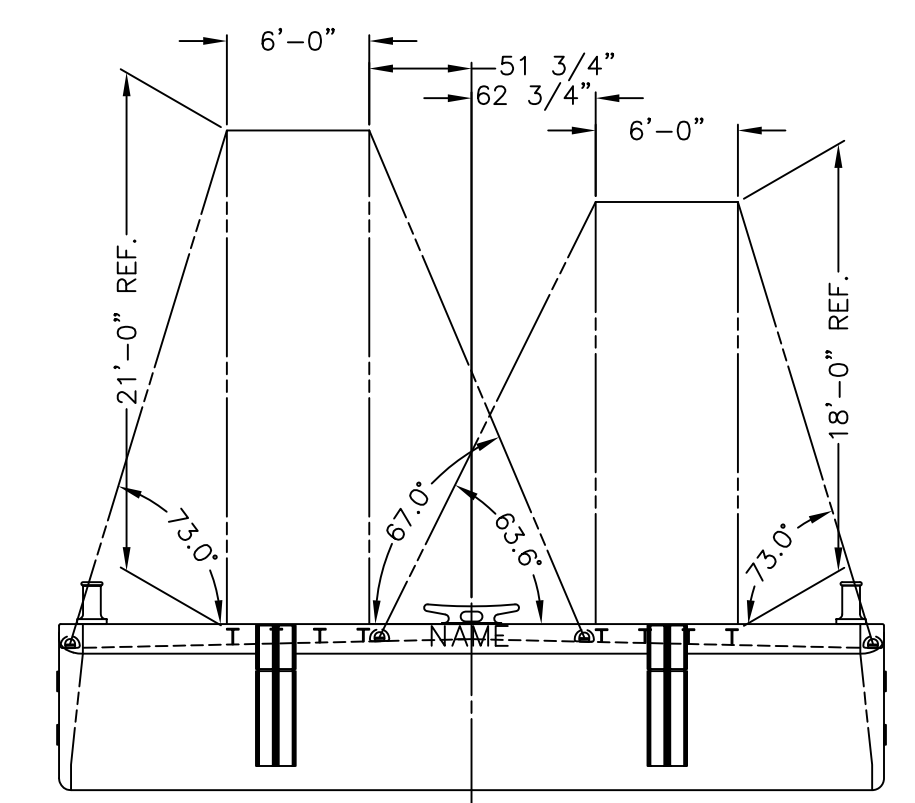


MDC PROJECT	DRAWING NUMBER	SHEET	REV	1
2587	667-D215-01	1 OF 1		
REVISIONS				
ZONE	REV	DESCRIPTION	DATE	APPROVED
ALL	-	AS BUILT - FIRST ISSUE	09/15/2004	



PLAN



PROFILE

PRINCIPAL CHARACTERISTICS

L.O.A.	150'-0"
LENGTH (MOLDED)	149'-10 3/4"
BEAM (OVERALL)	35'-0"
BEAM (MOLDED)	34'-9 1/4"
DEPTH (MOLDED)	6'-0" (AT SIDE)
DEPTH (MOLDED)	6'-4 3/8" (AT C.L.)
DRAFT (LIGHT, MOLDED, F.W.)	1'-3.24"
DRAFT (LOADED, MOLDED, F.W.)	4'-1"
DISPLACEMENT (LIGHTSHIP)	154.32 L.T.
DISPLACEMENT (FULL LOAD)	527.37 L.T.
DECK CARGO	373.05 L.T.
DECK LOADING	1000 p.s.f. (MAXIMUM)
DESIGN KG.	10'-0"
MARGIN LINE	MAIN DECK EDGE
SUBDIVISION	ONE COMPARTMENT
CLASSED A.B.S. + A1 BARGE, DECK CARGO, RIVER SERVICE WITH REINFORCEMENT "B".	

BMI HULL NUMBER	MDC HULL NUMBER	MDC PROJECT NUMBER	VESSEL NAME
118	667	2587	934

BASIC MARINE, INC. 440 N. TENTH ST. ESCANABA, MI. 49829 (906) 786-7120		DEPARTMENT OF THE ARMY MARINE DESIGN CENTER CORPS OF ENGINEERS	
BMI HULL No. 118		DECK CARGO BARGE 150'-0" x 35'-0" x 6'-0"	
DRAWN BY: W. G. Hitt		GENERAL ARRANGEMENT	
DATE: 15 September 2004		MDC PROJECT: 2587	
APPROVED BY:		DRAWING NUMBER: 667-D215-01	
DACW61-03-C-0029		REV: -	
TGMD 03076/667-D215-01-01-		SCALE: 1/8" = 1'-0"	
		SHEET: 1 OF 1	

PLAN BY
TGMD, INC.
667-D215-01