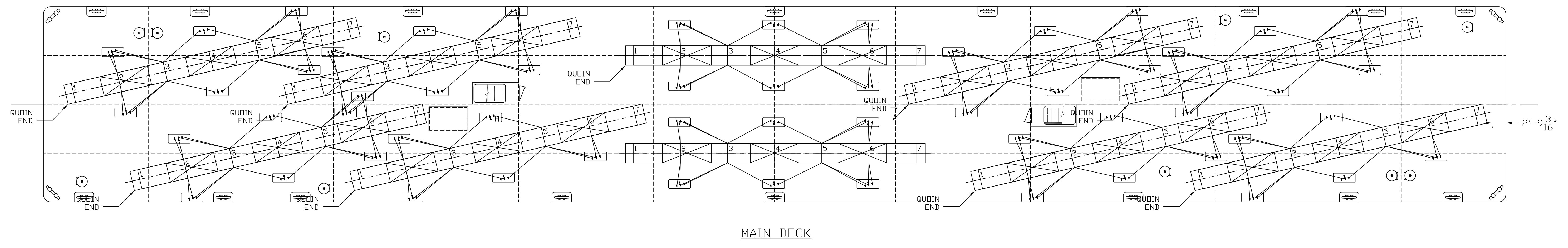
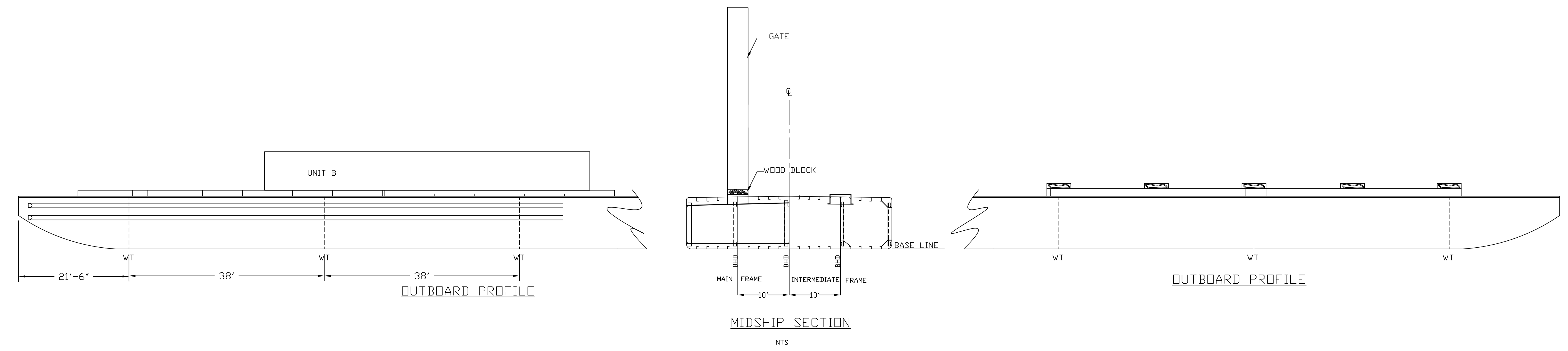


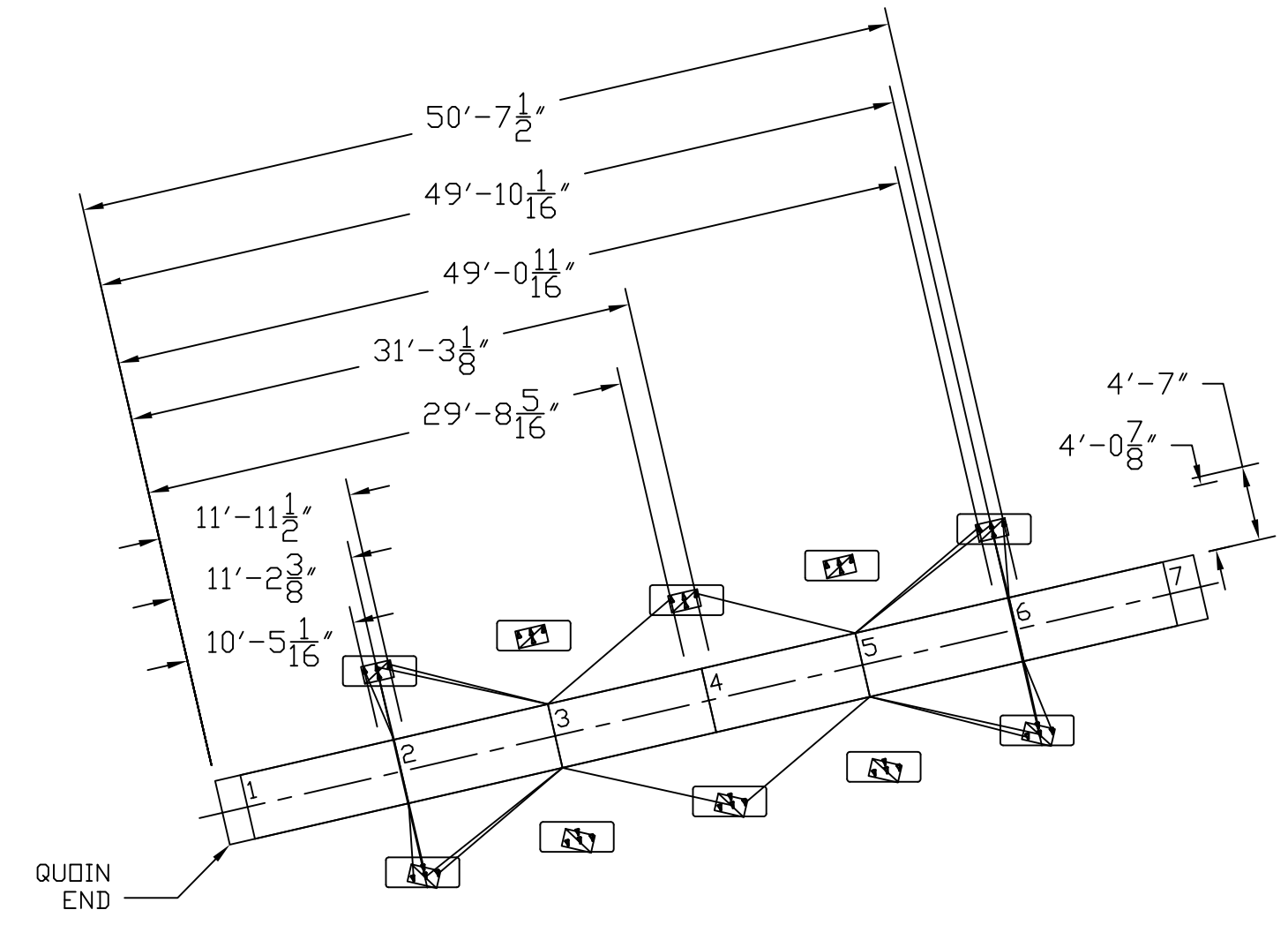
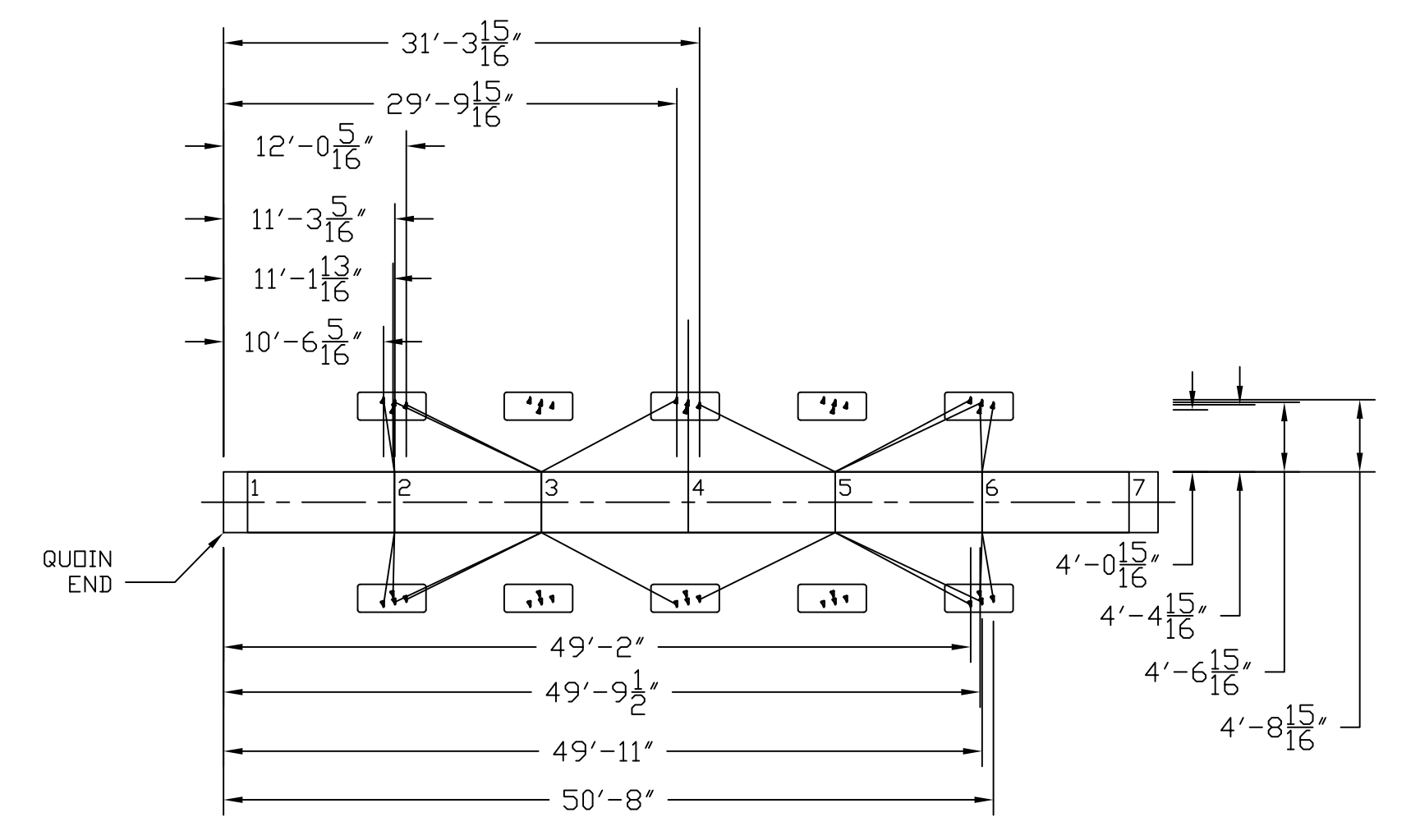
REVISIONS				
REV	ZONE	DESCRIPTION	DATE	APPROVED
A		REVISED DECK TIE-DOWN LOCATIONS; ADDED LASHING ARRANGEMENTS; ADDED LASHING GEOMETRY TABLES; CENTERED MIDSHIP GATES OVER LONG'L BULKHEADS	5-12-04	

LEGEND:
 BLUE LINES INDICATE UPPER SECTION LASHINGS
 RED LINES INDICATE LOWER SECTION LASHINGS

PRINCIPAL PARTICULARS:
 LENGTH OVERALL 300'-0"
 BEAM OVERALL 40'-0"
 DEPTH @ CL 10'-3"
 DEPTH @ SIDE 10'-0"



NOTE: THIS ARRANGEMENT WILL ACCOMMODATE ANY OF THE FOUR LOADING SCHEMES.



DECK TIE-DOWN LOCATIONS - MIDSHIP GATES

DECK TIE-DOWN LOCATIONS - "ANGLED" GATES

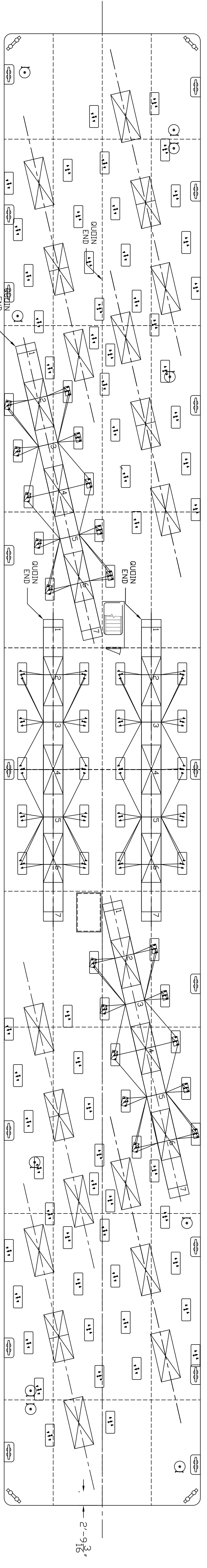
MARINE DESIGN CENTER PHILADELPHIA, PA		DEPARTMENT OF THE ARMY MARINE DESIGN CENTER CORPS OF ENGINEERS	
LEAD PROJ ENGR		RELEASED - CH HALL SECT	
PROJ ENGR - HALL		RELEASED - CH HALL SECT	
PROJ ENGR - NACH		SUBMITTED - PROJ MGR	
DRAWN BY J. ASBURY		RECOMMENDED - CH DES BR	
DATE 12 MAY 2004		SIZE F	PROJECT NO. 2492
		DWG NO. 617-A205-01	REV
		SCALE 3/32" = 1'-0"	SHEET 1 OF 3

REVISIONS

REV. NO.	ZONE	DESCRIPTION	DATE	APPROVED
A		REVISED DECK TIE-DOWN ARRANGEMENTS. ADDED LASHING ARRANGEMENTS. ADDED LASHING GEOMETRY TABLES. CENTERED MIDSHIP GATES OVER LONG L. BULKHEADS	5-12-04	

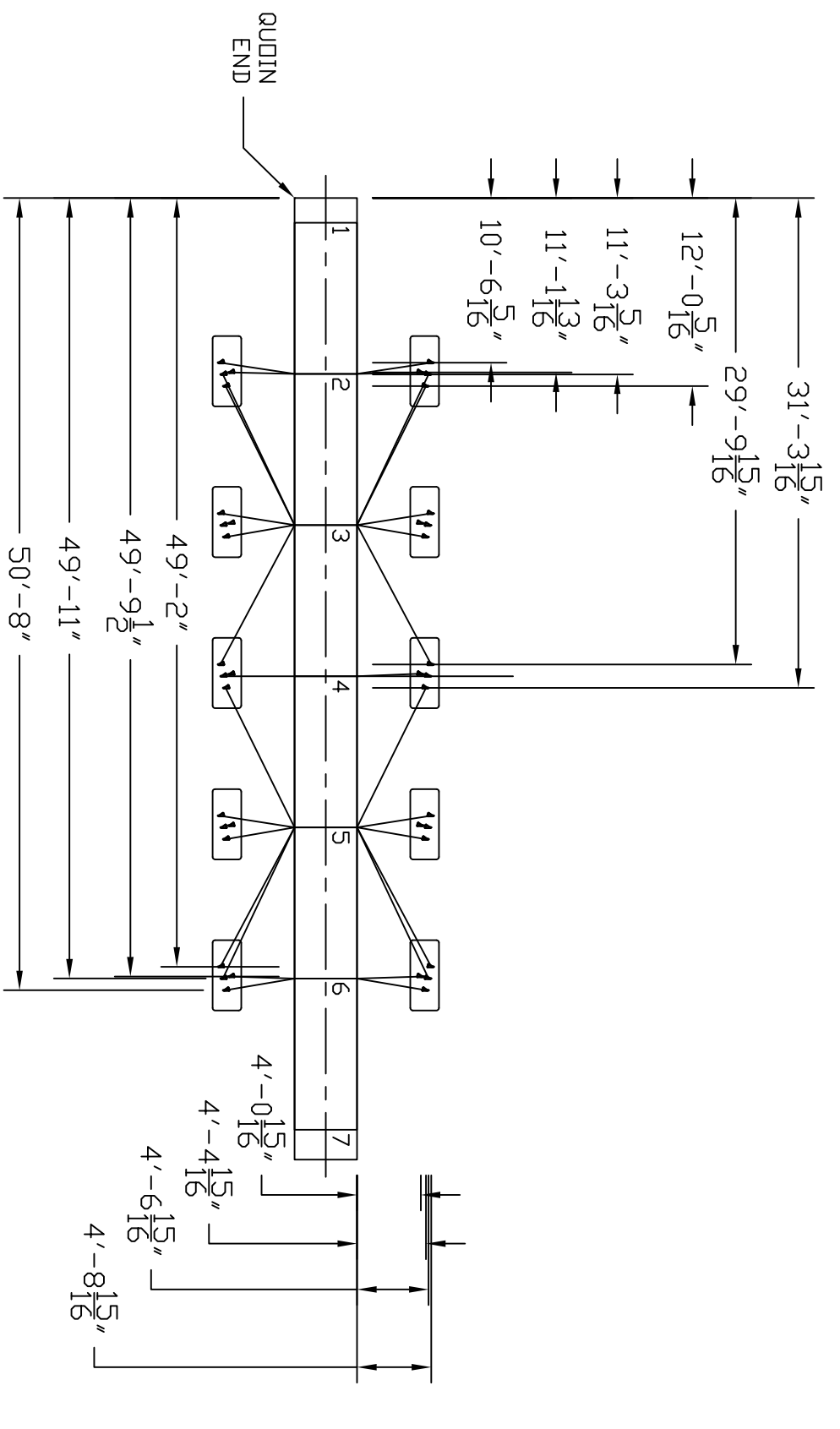
LEGEND:
 BLUE LINES INDICATE UPPER SECTION LASHINGS
 RED LINES INDICATE LOWER SECTION LASHINGS

PRINCIPAL PARTICULARS:
 LENGTH OVERALL 300'-0"
 BEAM OVERALL 40'-0"
 DEPTH @ CL 10'-3"
 DEPTH @ SIDE 10'-0"

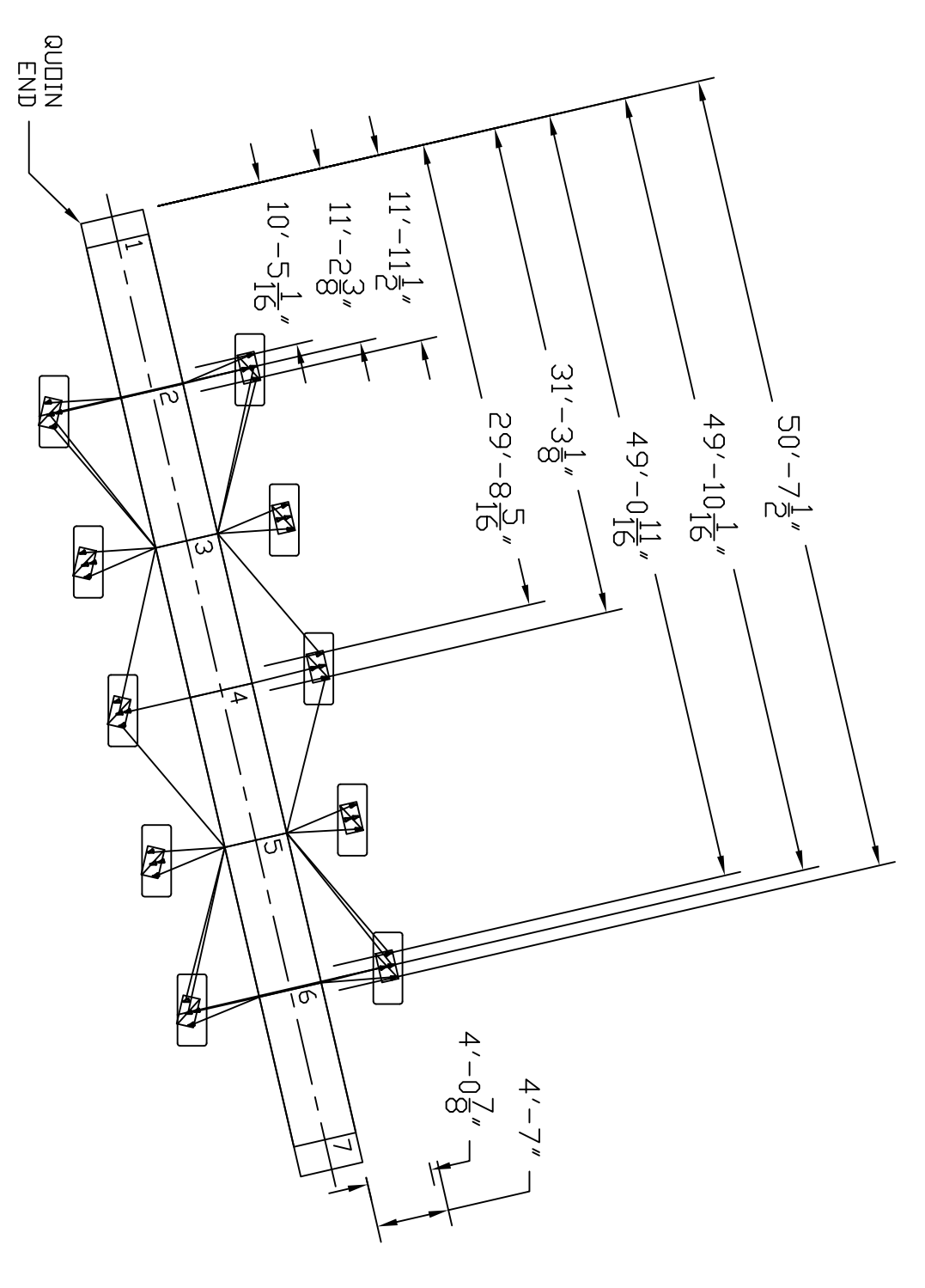


MAIN DECK

NOTE: THIS ARRANGEMENT WILL ACCOMMODATE ANY OF THE FOUR LOADING SCHEMES.

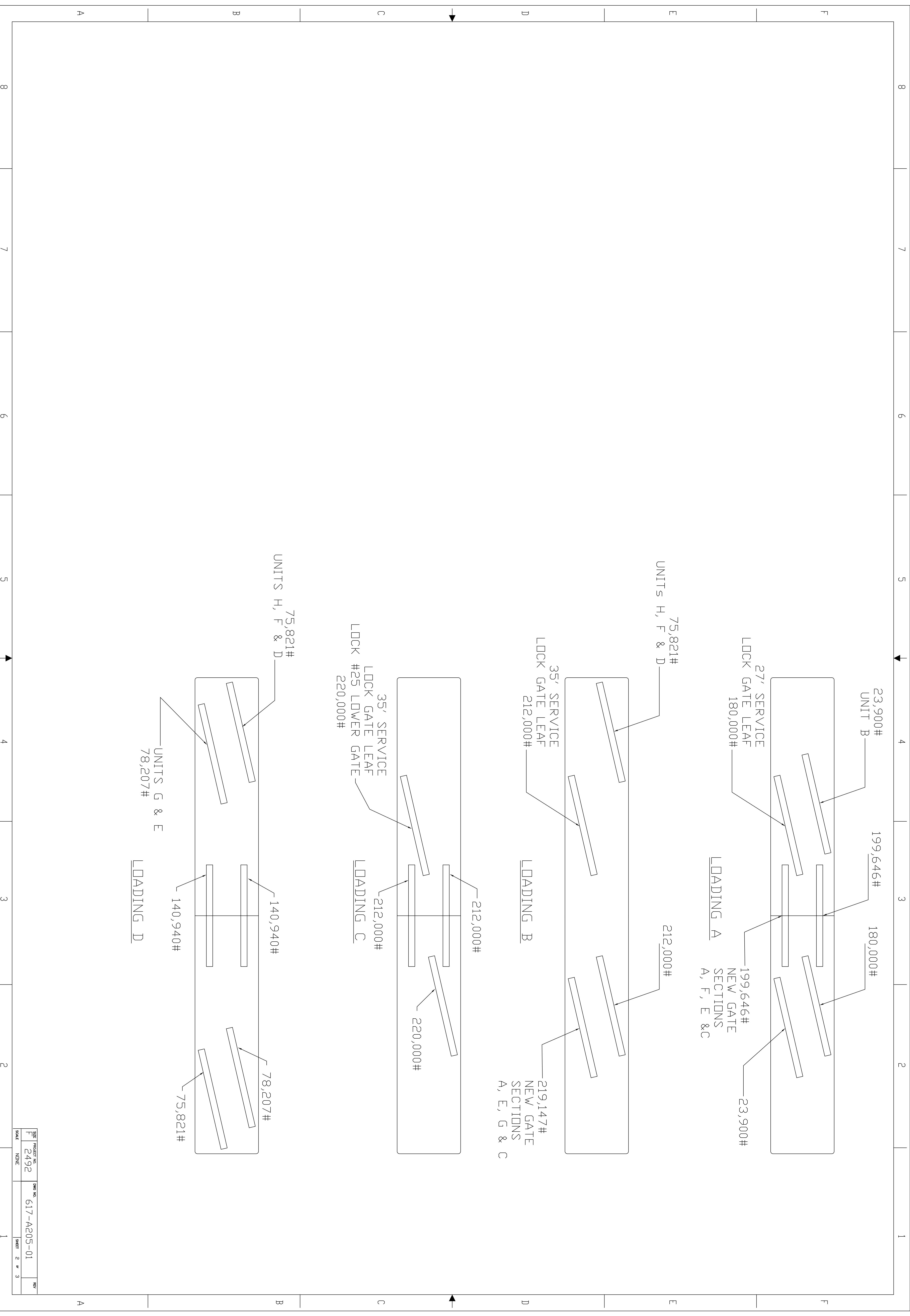
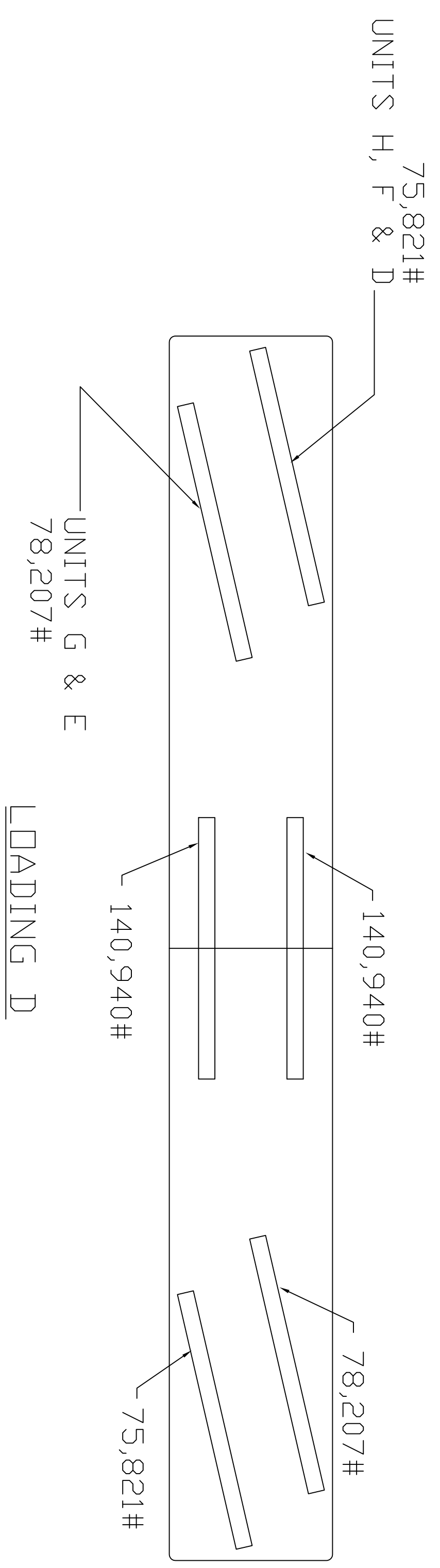
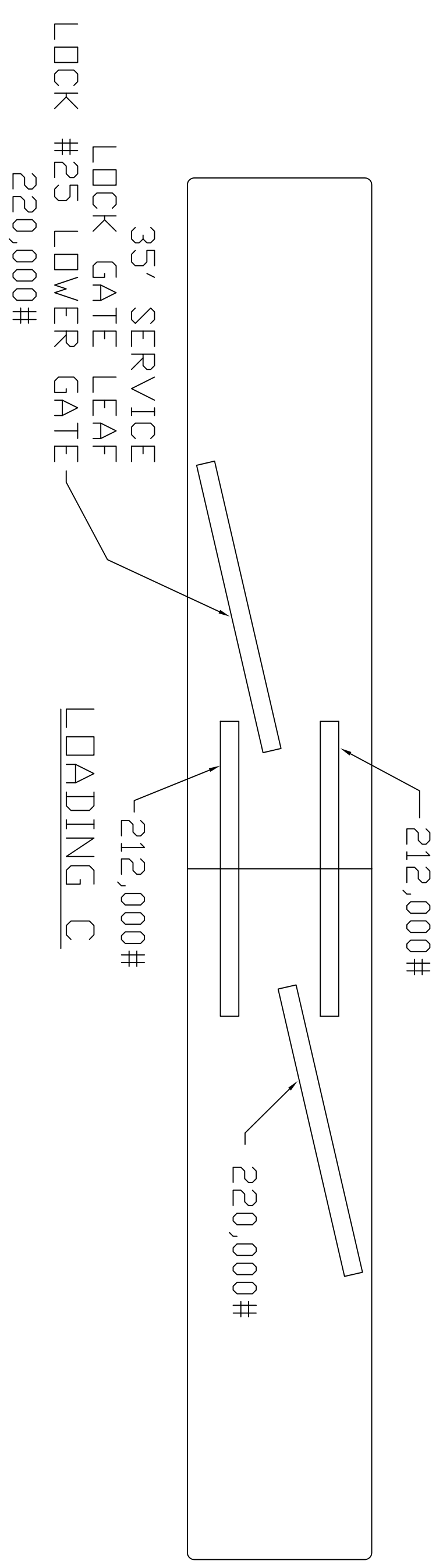
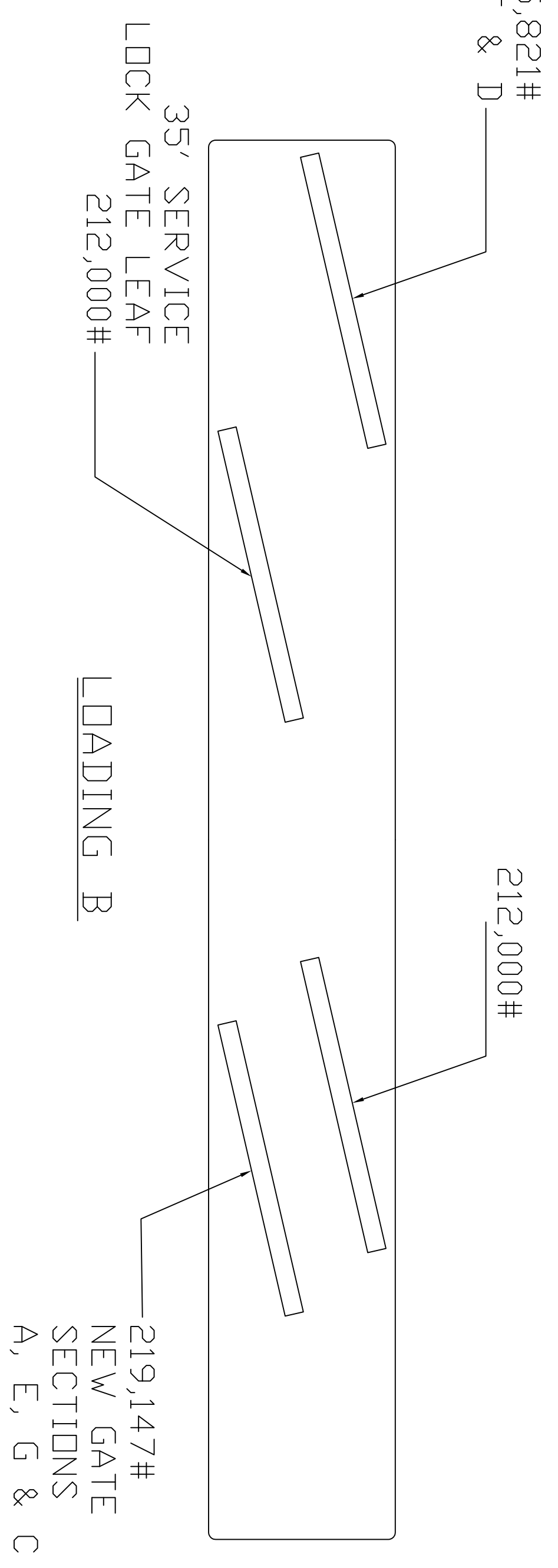
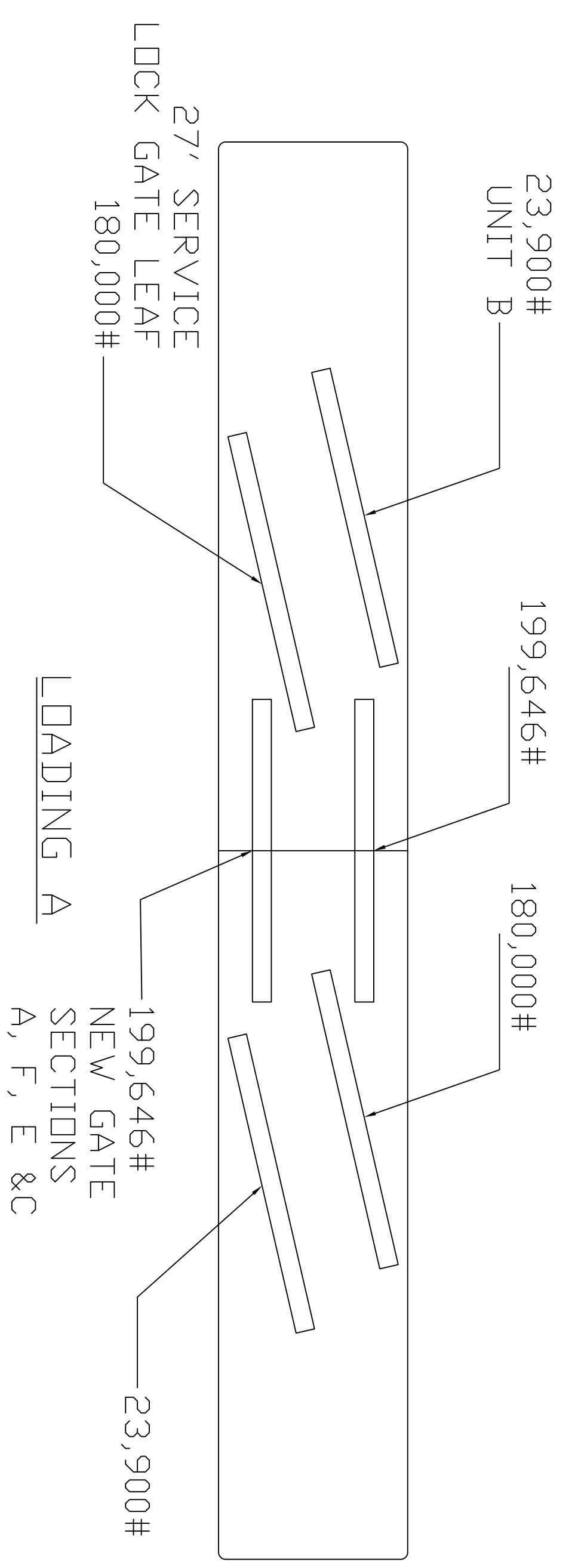


DECK TIE-DOWN LOCATIONS - MIDSHIP GATES



DECK TIE-DOWN LOCATIONS - "ANGLED" GATES

MARINE DESIGN CENTER PHILADELPHIA, PA		REPARATION OF THE USS MAINE DESIGN CENTER CORPS OF ENGINEERS	
DATE: 12 MAY 2004	SCALE: 3/32" = 1'-0"	PROJECT NO.: 617-A205-01	SHEET NO.: 1 OF 3



SIZE	PROJECT NO.	SHEET NO.
F	2492	617-A205-01
SCALE	DATE	SHEET
NONE		2 OF 3

